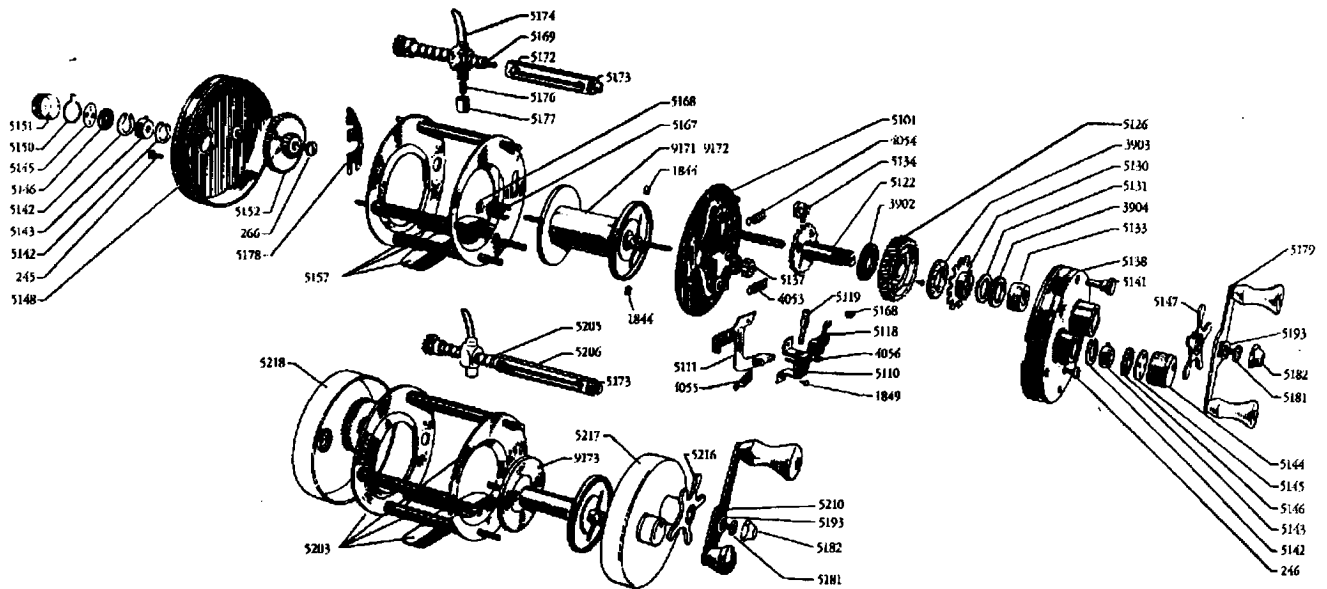


Garcia

AMBASSADEUR 5000-6000



No.	Part Name	Price	No.	Part Name	Price	No.	Part Name	Price
245	Pillar screw—2mm05	5133	Mylon bearing20	5178	Locking washer for #5169 and #520510
246	Bridge screw—2.6mm05	5134	Anti-reverse dog50	5179	Handle, complete (5000-5000A).....	1.75
266	Cog wheel shaft screw05	5137	Right pinion65	5181	Handle shaft screw10
1844A	Brake block—small05	5138	Right housing plate (5000-5000A)..	4.00	5182	Handle nut50
1844B	Brake block—medium05	5141	Housing plate anchor screw25	5193	Shim between #5179 and #5181....	.10
1844C	Brake block—large05	5142	Locking washer for #514305	5203	Frame (6000)	8.25
1849	Rivet for #511005	5143	Spool shaft bearing80	5205	Line carriage screw (6000)	2.25
3902	Drag washer05	5144	Right spool cap	1.00	5206	Carriage screw guard (6000)	1.50
3903	Drag washer05	5145	Base washer05	5210	Handle, complete (6000)	2.25
3904	Spacing washer.....	.10	5146	Felt packing05	5216	Star wheel (6000)	1.75
4053	Locking arm coil spring10	5147	Star wheel (5000-5000A)	1.50	5217	Right housing plate (6000)	4.00
4054	Locking arm coil spring10	5148	Left housing plate (5000-5000A) ...	3.25	5218	Left housing plate (6000)	3.50
4055	Coil spring for #511110	5150	Brake pointer10	9171**	Spool with container, small capacity (5000-5000A)	5.75
4056	Coil spring for #511805	5151	Left spool cap	1.00	9172**	Spool with container, large capacity (5000-5000A)	5.75
5101	Brake plate, complete	7.00	5152	Cog wheel	1.00	9173	Spool with container, extra large capacity (6000)	6.75
5110	Clamp15	5157	Frame (5000-5000A).....	7.00			
5111	Press arm	1.00	5167	Left pinion55			
5118	Clutch20	5168	"C" lock05			
5119	Pin for #511810	5169	Carriage screw (5000-5000A)	2.00			
5122	Main gear bushing with ratchet wheel	1.50	5172	Carriage screw guard (5000-5000A)	1.50			
5126	Main gear with click spring.....	1.75	5173	Bearing for #5172 and #5206.....	.45			
5130	Click wheel	1.00	5174	Line carriage.....	1.75			
5131	Spring washer10	5176	Carriage pawl75			
			5177	Line carriage nut25			

**Spool #9171 and #9172 are interchangeable in either the 5000 or 5000A.

Note: Except where otherwise noted, the same parts apply to the 5000, 5000A, and 6000.