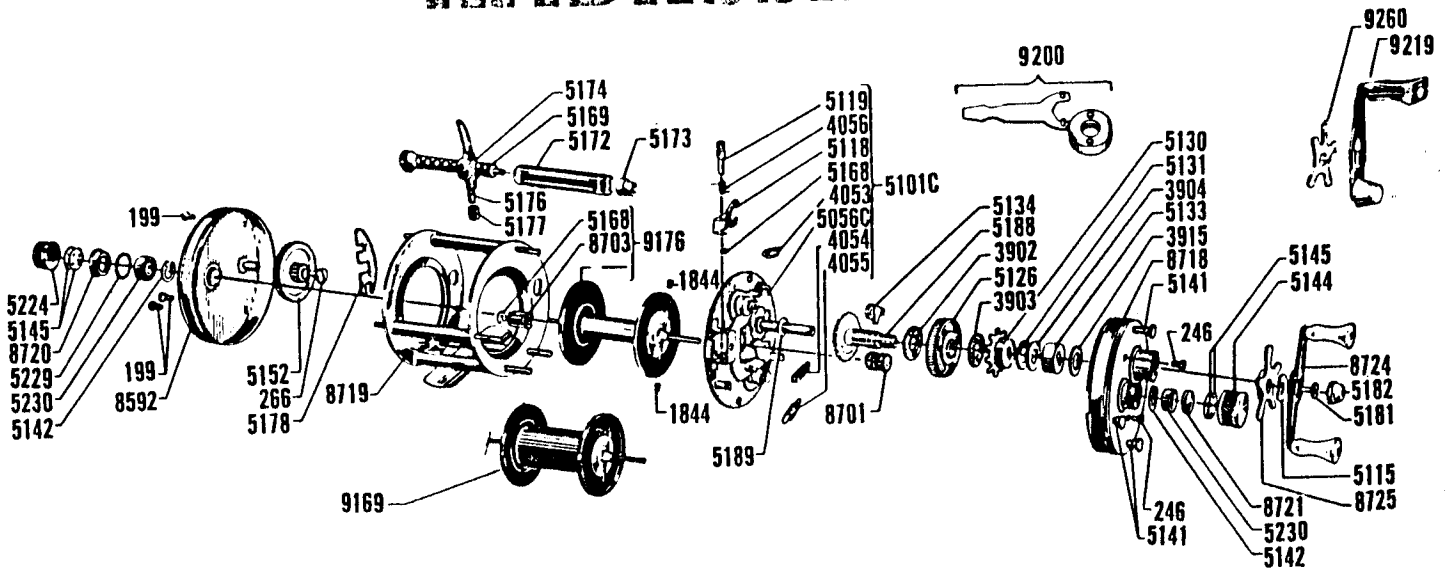


# Garcia

# AMBASSADEUR 5000C



Prices subject to change without notice

No.	Part Name	Price	No.	Part Name	Price	No.	Part Name	Price
199	Pillar Screw	(each) .10	5133	Drive Shaft Bearing	.25	8572	Arbor (Accessory)	1.65
246	Bridge Screw	(each) .10	5134	Anti Reverse Dog	.65	8592	Left Side Plate	3.75
266	Cog Wheel Screw	.10	5141	Side Plate Thumb Nut	(each) .25	8701	Right Pinion Gear	1.05
1844A	Brake Block, Small	(each) .10	5142	Spool Bearing Lock	(each) .10	8703	Left Pinion Gear	.55
1844B	Brake Block, Medium	(each) .10	5144	Right Spool Cap	.95	8718	Right Side Plate	4.85
1844C	Brake Block, Large	(each) .10	5145	Spool Centering Shim	(each) .10	8719	Frame Assembly	6.50
3902	Base Drag Washer	.10	5152	Cog Wheel	1.05	8720	Left Bearing Cushion	.10
3903	Drag Washer	.10	5168	"C" Lock	(each) .10	8721	Right Bearing Cushion	.10
3904	Drag Spacer	.10	5169	Carriage Screw	2.10	8724	Handle (Standard)	2.50
3915	Drag Shim	.10	5172	Carriage Screw Guard	1.65	8725	Star Wheel (Standard)	2.25
4053	Left Lock Arm Spring	.10	5173	Carriage Screw Bearing	.10	9169	(8582) Spool Complete, Small (with container)	10.00
4054	Right Lock Arm Spring	.10	5174	Line Carriage	2.50	9176	(8583) Spool, Complete, Large (with container)	10.00
4055	Press Arm Spring	.10	5176	Line Carriage Pawl	.60	9200	Drag Conv. Kit for Miami Met. Derby	2.75
4056	Pinion Yoke Spring	.10	5177	Line Carriage Nut	.20	9210	Spool Container	.60
5056C	Brake Plate	5.75	5178	Carriage Screw Lock Arm	.10	9219	Handle, Single knob (Accessory)	2.75
5101C	Brake Plate Assembly (complete)	7.00	5181	Handle Retaining Screw	.10	9260	Star Wheel (Accessory) Large	2.75
5115	Friction Washer	.10	5182	Handle Lock Nut	.50			
5118	Pinion Yoke	.50	5188	Drive Shaft with Ratchet Wheel	2.60			
5119	Pinion Yoke Shaft	.10	5189	Drive Shaft Shim	.10			
5126	Drive Gear with Click Spring	1.60	5224	Left Spool Cap	1.25			
5130	Click Wheel	1.05	5229	"O" Ring	.25			
5131	Spring Washer	.10	5230	Spool Shaft Bearing	(each) 6.00			

Please specify both reel model and part numbers when ordering.

## PARTS AND SERVICE AVAILABLE AT THE FOLLOWING REGIONAL FACTORY REPAIR DEPOTS:

**FACTORY SERVICE**  
RODS, REELS AND PARTS

**THE GARCIA SERVICE DEPARTMENT**  
329 ALFRED AVENUE  
TEANECK, NEW JERSEY 07666

**THE CONOLON CORPORATION**  
1111 EAST McFADDEN STREET  
SANTA ANA, CALIFORNIA 92705

**SILICOTE SALES DIVISION**  
520 WEST 14th AVENUE  
OSHKOSH, WISCONSIN 54902

**J. K. CLARK COMPANY**  
ACO SPORTSMEN SERVICE  
13501 VAN DYKE  
DETROIT, MICHIGAN 48234

**REEL SERVICE AND PARTS**

**NATE BUELL SERVICE CORPORATION**  
5013 N.E. 42nd STREET  
PORTLAND, OREGON 97218

**HARRY C. MILLER CO., INC.**  
257 PARK AVENUE SOUTH  
NEW YORK, NEW YORK 10010

**SHERMAN LOYD SALES COMPANY**  
4737 GREENVILLE AVENUE  
DALLAS, TEXAS 75206