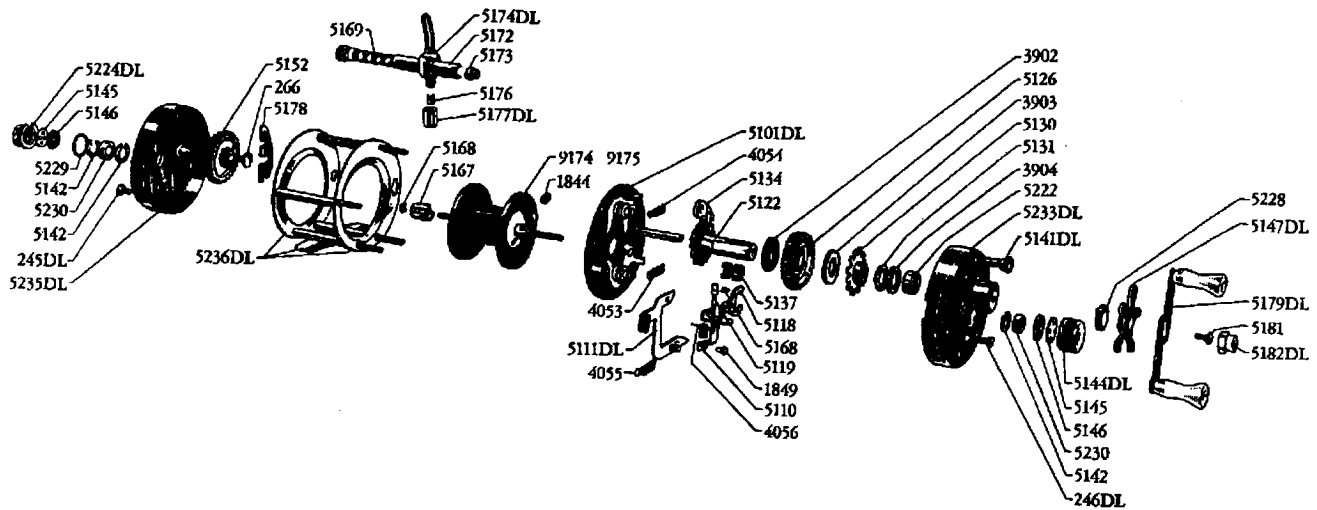


# Garcia

## AMBASSADEUR 5000 DL



No.	Part Name	Price	No.	Part Name	Price	No.	Part Name	Price
245DL	Pillar screw—2mm	.40	5119	Pin for #5118	.10	5173	Bearing for #5172	.45
246DL	Bridge screw—2.6mm	.35	5122	Main gear bushing with ratchet wheel	1.50	5174DL	Line carriage	2.50
266	Cog wheel shaft screw	.05	5126	Main gear with click spring	1.75	5176	Carriage pawl	.75
1844A	Brake block—small	.05	5130	Click wheel	1.00	5177DL	Line carriage nut	1.00
1844B	Brake block—medium	.05	5131	Spring washer	.10	5178	Locking washer for #5169	.10
1844C	Brake block—large	.05	5134	Anti-reverse dog	.50	5179DL	Handle, complete	3.25
1849	Rivet for #5110	.05	5137	Right pinion	.65	5181	Handle shaft screw	.10
3902	Drag washer	.05	5141DL	Housing plate anchor screw	1.25	5182DL	Handle nut	1.25
3903	Drag washer	.05	5142	Locking washer for #5230	.05	5222	Handle shaft bearing	.40
3904	Spacing washer	.10	5144DL	Right spool cap	2.00	5224DL	Left spool cap	2.50
4053	Locking arm coil spring	.10	5145	Base washer	.05	5228	Handle casing bushing	.20
4054	Locking arm coil spring	.10	5146	Felt packing	.05	5229	O-ring	.25
4055	Coil spring for #5111	.10	5147DL	Star wheel	2.25	5230	Spool shaft ball bearing	8.25
4056	Coil spring for #5118	.05	5152	Cog wheel	1.00	5233DL	Right housing plate	8.75
5101DL	Brake plate, complete	8.25	5167	Left pinion	.55	5235DL	Left housing plate	5.00
5110	Clamp	.15	5168	"C" lock	.05	5236DL	Frame	25.00
5111DL	Press arm	2.25	5169	Carriage screw	2.00	9174	Spool with container, small capacity	6.50
5118	Clutch	.20	5172	Carriage screw guard	1.50	9175	Spool with container, large capacity	7.00

THE GARCIA CORPORATION • ALFRED AVENUE • TEANECK • NEW JERSEY