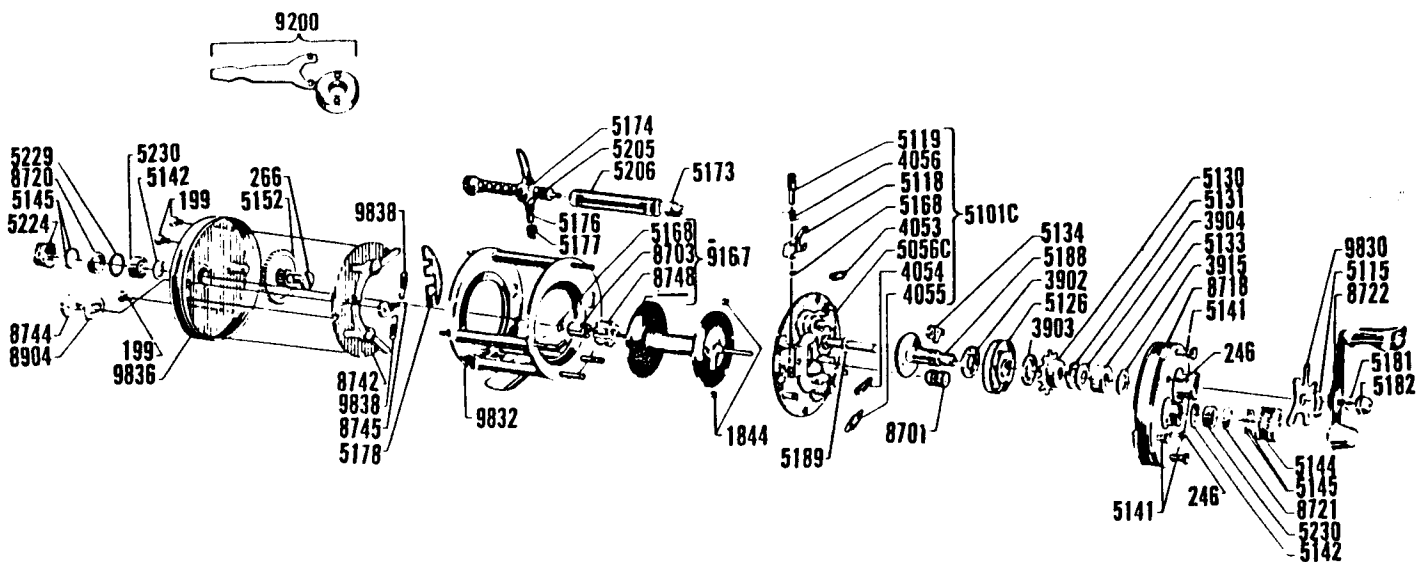


# Garcia

# AMBASSADEUR 6000C



Prices subject to change without notice

No.	Part Name	Price
199	Pillar Screw	(each) .10
246	Bridge Screw	(each) .10
266	Cog Wheel Screw	.10
1844A	Brake Block, Small	(each) .10
1844B	Brake Block, Medium	(each) .10
1844C	Brake Block, Large	(each) .10
3902	Base Drag Washer	.10
3903	Drag Washer	.10
3904	Drag Spacer	.10
3915	Drag Shim	.10
4053	Left Lock Arm Spring	.10
4054	Right Lock Arm Spring	.10
4055	Press Arm Spring	.10
4056	Pinion Yoke Spring	.10
5056C	Brake Plate	5.75
5101C	Brake Plate Assembly (complete)	7.00
5115	Friction Washer	.10
5118	Pinion Yoke	.50
5119	Pinion Yoke Shaft	.10
5126	Drive Gear with Click Spring	1.60
5130	Click Wheel	1.05

No.	Part Name	Price
5131	Spring Washer	.10
5133	Drive Shaft Bearing	.25
5134	Anti Reverse Dog	.65
5141	Side Plate Thumb Nut	(each) .25
5142	Spool Bearing Lock	(each) .10
5144	Right Spool Cap	.95
5145	Spool Centering Shim	(each) .10
5152	Cog Wheel	1.05
5168	"C" Lock	(each) .10
5173	Carriage Screw Bearing	.10
5174	Line Carriage	2.50
5176	Line Carriage Pawl	.60
5177	Line Carriage Nut	.20
5178	Carriage Screw Lock Arm	.10
5181	Handle Retaining Screw	.10
5182	Handle Lock Nut	.50
5188	Drive Shaft with Ratchet Wheel	2.60
5189	Drive Shaft Shim	.10
5205	Carriage Screw	2.20
5206	Carriage Screw Guard	1.65
5224	Left Spool Cap	1.25

Please specify both reel model and part numbers when ordering.

No.	Part Name	Price
5229	"O" Ring	.25
5230	Spool Shaft Bearing	6.00
8701	Right Pinion Gear	1.05
8703	Left Pinion Gear	.55
8718	Right Side Plate	4.85
8720	Left Bearing Cushion	.10
8721	Right Spool Bearing Cushion	.10
8722	Handle	2.75
8742	Click Plate Assembly	1.05
8744	Click Button	.30
8745	Click Pawl	.35
8748	Click Ratchet	.10
8904	Click Button Plate	.10
9167	(9834) Spool Complete (with container)	10.00
9210	Spool Container	.60
9830	Star Wheel	2.75
9832	Frame Assembly (complete)	6.50
9836	Left Side Plate	3.75
9838	Click Pawl Spring	(each) .10
9200	Drag Conv. Kit for Miami Met. Derby	2.75

## PARTS AND SERVICE AVAILABLE AT THE FOLLOWING REGIONAL FACTORY REPAIR DEPOTS:

FACTORY SERVICE  
RODS, REELS AND PARTS

THE GARCIA SERVICE DEPARTMENT  
329 ALFRED AVENUE  
TEANECK, NEW JERSEY 07666

THE CONOLON CORPORATION  
1111 EAST McFADDEN STREET  
SANTA ANA, CALIFORNIA 92705

SILICOTE SALES DIVISION  
520 WEST 14th AVENUE  
OSHKOSH, WISCONSIN 54902

J. K. CLARK COMPANY  
ACO SPORTSMEN SERVICE  
13501 VAN DYKE  
DETROIT, MICHIGAN 48234

REEL SERVICE AND PARTS

NATE BUELL SERVICE CORPORATION  
5013 N.E. 42nd STREET  
PORTLAND, OREGON 97218

HARRY C. MILLER CO., INC.  
257 PARK AVENUE SOUTH  
NEW YORK, NEW YORK 10010

SHERMAN LOYD SALES COMPANY  
4737 GREENVILLE AVENUE  
DALLAS, TEXAS 75206