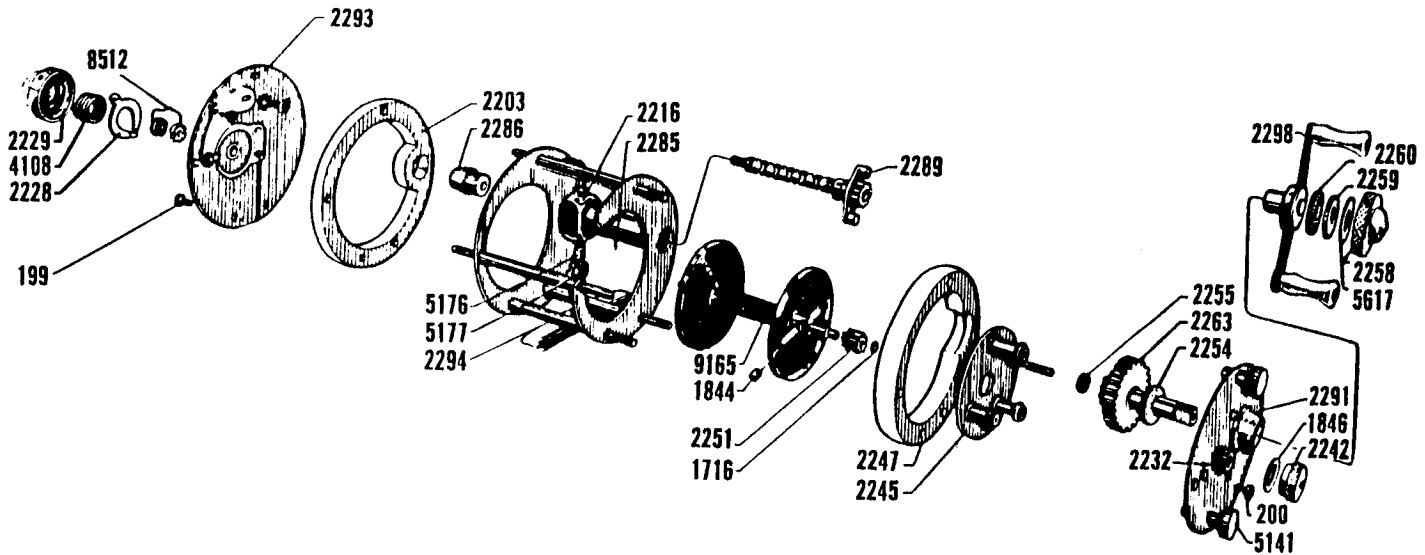




AMBASSADEUR 2500



Prices subject to change without notice

Please specify both reel model and part numbers when ordering.

No.	Part Name	Price	No.	Part Name	Price	No.	Part Name	Price
199	Pillar Screw	(each) .10	2242	Right Spool Cap	.75	2289	Line Carriage Screw	2.50
200	Bridge Screw	(each) .10	2245	Gear Bridge	2.10	2291	Right Side Plate	2.75
1716	Pinion "C" Lock	.10	2247	Head Ring	.60	2293	Left Side Plate, Complete	4.25
1844A	Brake Block, Small	(each) .10	2251	Pinion Gear	.90	2294	Frame Assembly, Complete	9.00
1844B	Brake Block, Medium	(each) .10	2254	Drive Gear Bearing	.10	2298	Handle	2.50
1844C	Brake Block, Large	(each) .10	2255	Gear Shaft Bearing	.50	4108	Spool Cap Spring	.10
1846	Right Spool Cap Spacer	.10	2258	Drag Adjusting Knob	.75	5141	Side Plate Thumb Nut (each)	.25
2203	Tail Ring	.60	2259	Keyed Washer	.10	5176	Line Carriage Pawl	.60
2216	Line Carriage	1.60	2260	Drag Washer	.10	5177	Line Carriage Nut	.20
2228	Spool Cap Lock	.10	2263	Drive Gear	2.10	5617	Spring Washer	.10
2229	Left Spool Cap	1.60	2285	Carriage Screw Guard	1.60	8512	Spool Bearing	.25
			2286	Carriage Screw Bearing, Left	.20	9165	(2237) Spool, comp. (with cont.)	8.75
						9210	Spool Container	.60

PARTS AND SERVICE AVAILABLE AT THE FOLLOWING REGIONAL FACTORY REPAIR DEPOTS:

FACTORY SERVICE
RODS, REELS AND PARTS

THE GARCIA SERVICE DEPARTMENT
329 ALFRED AVENUE
TEANECK, NEW JERSEY 07666

THE CONOLON CORPORATION
1111 EAST McFADDEN STREET
SANTA ANA, CALIFORNIA 92705

SILICOTE SALES DIVISION
520 WEST 14th AVENUE
OSHKOSH, WISCONSIN 54902

J. K. CLARK COMPANY
ACO SPORTSMEN SERVICE
13501 VAN DYKE
DETROIT, MICHIGAN 48234

REEL SERVICE AND PARTS

NATE BUELL SERVICE CORPORATION
5013 N.E. 42nd STREET
PORTLAND, OREGON 97218

HARRY C. MILLER CO., INC.
257 PARK AVENUE SOUTH
NEW YORK, NEW YORK 10018

SHERMAN LOYD SALES COMPANY
4737 GREENVILLE AVENUE
DALLAS, TEXAS 75206