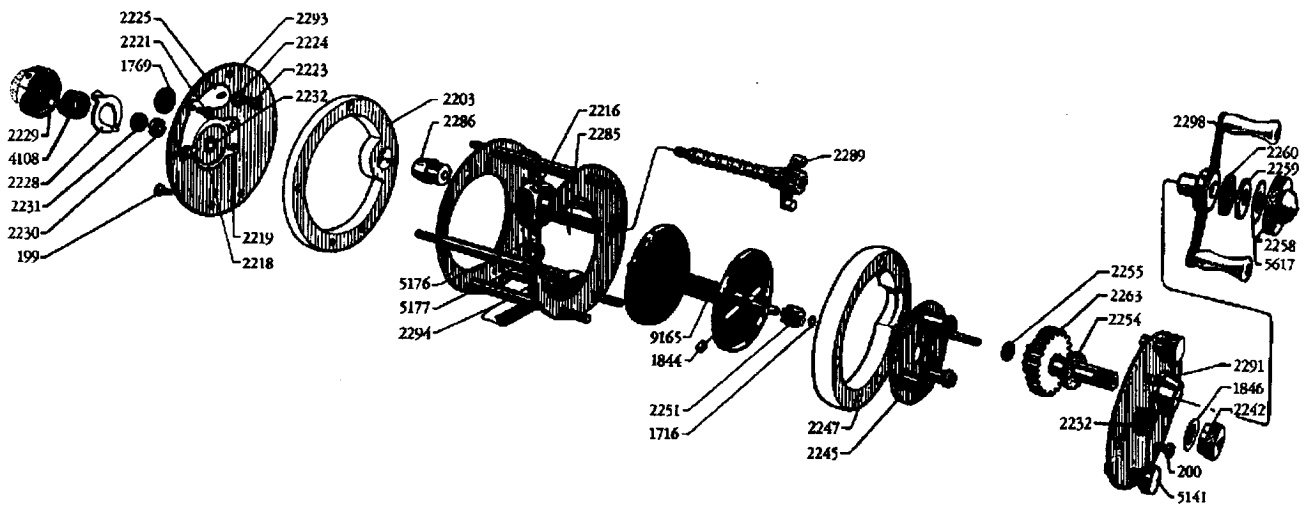


Garcia

AMBASSADEUR 2500



No.	Part Name	Price	No.	Part Name	Price	No.	Part Name	Price
199	Pillar screw	.10	2225	Click arm with rivet & click tongue	.50	2260	Sliding washer	.05
200	Bridge screw	.10	2228	Brake pointer	.10	2263	Main gear	2.25
1716	Pinion "C" lock	.05	2229	Left spool cap with #2228 and #4108	1.50	2285	Carriage screw guard	1.50
1769	Click button	.10	2230	Brake washer	.05	2286	Left carriage screw bearing	.45
1844A	Brake block—small	.05	2231	Stress cushion	.05	2289	Carriage screw	2.50
1844B	Brake block—medium	.05	2232	Spool shaft bearing	.25	2291	Right housing plate	3.25
1844C	Brake block—large	.05	2242	Right spool cap	1.00	2293	Left housing plate, complete	5.00
1846	Spacer	.10	2245	Brake plate	1.25	2294	Frame with #2216 and #2285	6.00
2203	Tail ring	1.25	2247	Head ring	1.25	2298	Handle, complete	2.25
2216	Line carriage	2.25	2251	Right pinion	.60	4108	Anti-backlash spring	.10
2218	Click spring	.20	2254	Friction washer	.05	5141	Housing plate anchor screw	.25
2219	Click spring rivet	.05	2255	Axle bearing	.05	5176	Carriage pawl	.75
2221	Click button rivet	.05	2258	Brake nut	1.25	5177	Line carriage nut	.25
2223	Click arm rivet	.05	2259	Pressure washer	.05	5617	Spring washer	.05
2224	Collar plate	.05				9165	Spool and pinion with container	4.05

THE GARCIA CORPORATION • ALFRED AVENUE • TEANECK • NEW JERSEY