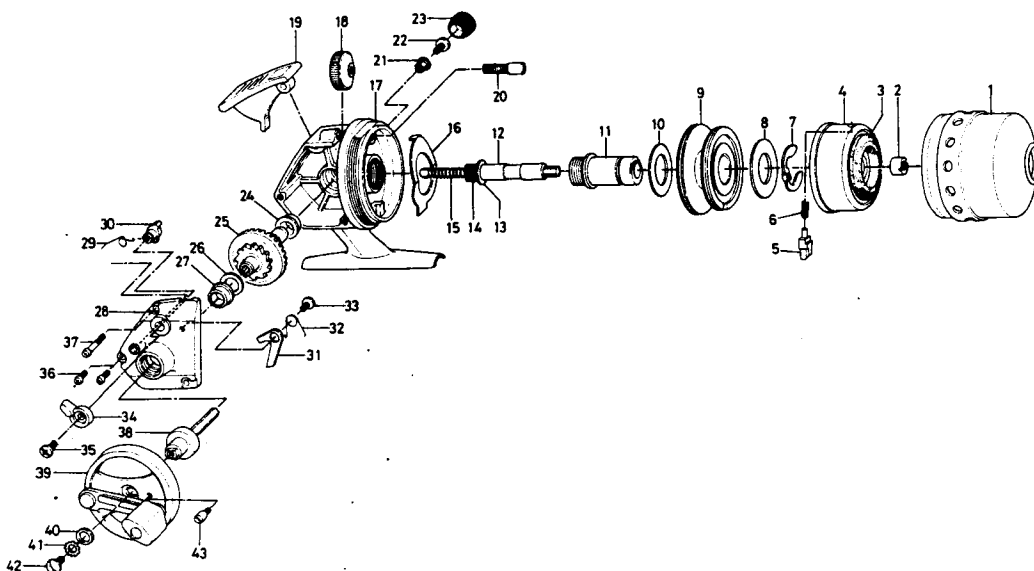


SPINCASTING REEL Goldcast 308RL



KEY NO. 3 ~ 6
6-736-6302

ROTOR ASSEMBLY

KEY NO. 12 ~ 15
6-711-1631

MAIN SHAFT ASSEMBLY

Key No.	Parts No.	Parts Name	Key No.	Parts No.	Parts Name
1	6-755-1203	Front cover	23	6-803-4802	Handle screw cap
2	6-342-3701	Rotor nut	24	6-637-4801	Drive gear shaft holder
3	6-330-4411	Line stopper	25	6-413-5201	Drive gear
4	6-736-6202	Rotor	26	6-370-5100	Drive gear washer
5	6-180-3811	Pick up pin	27	6-637-4801	Drive gear shaft holder
6	6-142-4501	Pick up pin spring	28	6-062-9905	Body cover
7	6-320-9101	Spool retainer	29	6-809-1401	Anti-reverse cam spring
8	6-370-0412	Spool washer	30	6-461-4501	Anti-reverse cam
9	6-732-1632	Spool	31	6-111-7011	Anti-reverse claw
10	6-370-0412	Spool washer	32	6-144-5111	Anti-reverse claw spring
11	6-381-7511	Shaft metal	33	6-351-7701	Anti-reverse claw screw
12	6-393-3821	Main shaft	34	6-541-3132	Anti-reverse lever
13	6-633-8811	Ball bearing	35	6-351-4701	Anti-reverse lever screw
14	6-402-6401	Pinion	36	6-351-1101	Body cover screw (short)
15	6-142-7711	Main shaft spring	37	6-353-4911	Body cover screw (long)
16	6-151-6501	Drag adjusting plate	38	6-071-0503	Drive gear shaft
17	6-700-8621	Body	39	6-746-6001	Handle
18	6-812-3001	Drag adjusting dial	40	6-375-2501	Handle washer A
19	6-781-6307	Push button	41	6-160-8001	Handle washer B
20	6-363-5911	Drag adjusting screw	42	6-352-1101	Handle screw B
21	6-501-8501	Handle screw holder	43	6-363-6201	Handle arm stopper screw
22	6-363-8511	Handle screw A			