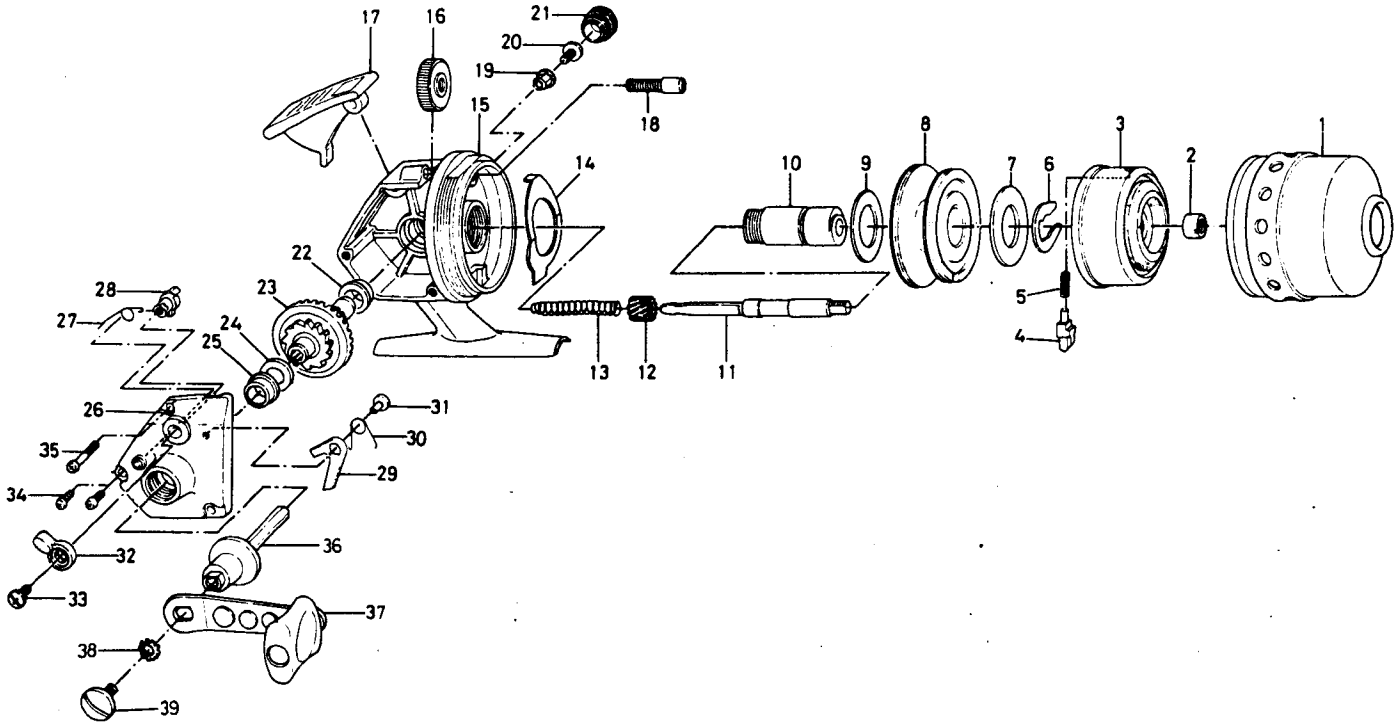


SPINCASTING REEL

SILVERCAST 206RL



KEY NO. 3 ~ 5
6-B08-2801

ROTOR ASSEMBLY

KEY NO. 11 ~ 13
6-B08-1501

MAIN SHAFT ASSEMBLY

Key No.	Parts No.	Parts Name	Key No.	Parts No.	Parts Name
1	6-B08-3201	Front cover	21	6-B03-4802	Handle screw cap
2	6-B08-3101	Rotor nut	22	6-637-4801	Drive gear shaft holder
*3	6-B08-2901	Rotor	23	6-B08-2001	Drive gear
*4	6-180-3811	Pick up pin	24	6-370-5100	Drive gear washer
*5	6-142-4501	Pick up pin spring	25	6-637-4801	Drive gear shaft holder
6	6-B37-4601	Spool retainer	26	6-B08-2101	Body cover
7	6-373-4412	Spool washer	27	6-B09-1401	Anti-reverse cam spring
8	6-B08-2601	Spool	28	6-461-7601	Anti-reverse cam
9	6-373-4412	Spool washer	29	6-111-8501	Anti-reverse claw
10	6-381-4712	Shaft metal	30	6-144-5111	Anti-reverse claw spring
11	6-B08-1601	Main shaft	31	6-351-7701	Anti-reverse claw screw
12	6-B08-1701	Pinion gear	32	6-541-3132	Anti-reverse lever
13	6-144-0701	Main shaft spring	33	6-351-4701	Anti-reverse lever screw
14	6-B08-2401	Drag adjusting plate	34	6-351-7801	Body cover screw *short)
15	6-B08-1301	Body	35	6-B08-2201	Body cover screw (long)
16	6-342-2401	Drag adjusting dial	36	6-071-0507	Drive gear shaft
17	6-B08-1801	Push button	37	6-746-5201	Handle
18	6-353-2521	Drag adjusting screw	38	6-160-8001	Handle washer
19	6-501-8501	Handle screw holder	39	6-363-5301	Handle screw B
20	6-363-8511	Handle screw A			