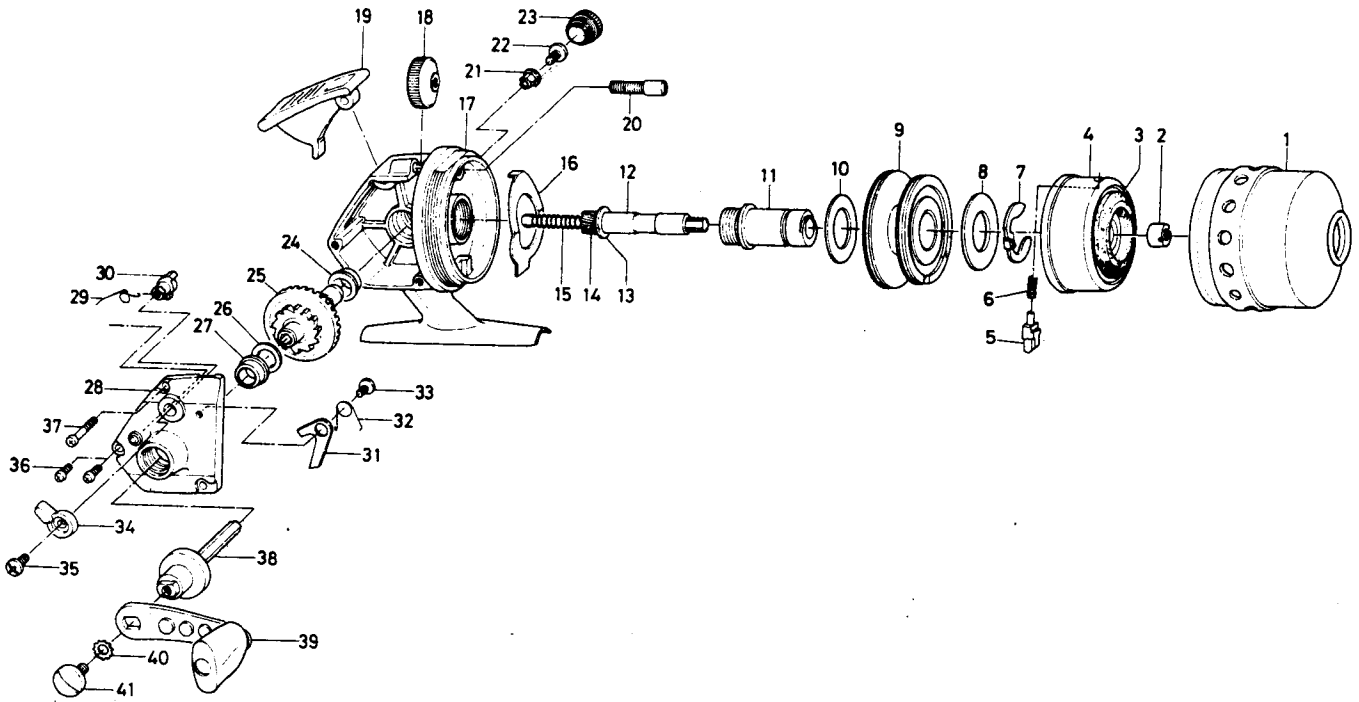


SPINCASTING REEL **Silvercast 208RL**



KEY NO. 3 ~ 6
6-736-6301

ROTOR ASSEMBLY

KEY NO. 12 ~ 15
6-711-1722

MAIN SHAFT ASSEMBLY

Key No.	Parts No.	Parts Name
1	6-B09-2001	Front cover
2	6-342-4911	Rotor nut
3	6-B08-8601	Line stopper
4	6-736-6202	Rotor
5	6-180-3811	Pick up pin
6	6-142-4501	Pick up pin spring
7	6-320-9101	Spool retainer
8	6-370-0412	Spool washer
9	6-732-1802	Spool
10	6-370-0412	Spool washer
11	6-381-7611	Shaft metal
12	6-393-9101	Main shaft
13	6-370-0226	Pinion washer
14	6-402-6401	Pinion gear
15	6-142-7711	Main shaft spring
16	6-151-6501	Drag adjusting plate
17	6-700-8623	Body
18	6-B07-9301	Drag adjusting dial
19	6-B08-1802	Push button
20	6-363-5911	Drag adjusting screw
21	6-501-8501	Handle screw holder

Key No.	Parts No.	Parts Name
22	6-363-8511	Handle screw A
23	6-363-6001	Handle screw cap
24	6-637-4801	Drive gear shaft holder
25	6-413-5201	Drive gear
26	6-370-5100	Drive gear washer
27	6-637-4801	Drive gear shaft holder
28	6-062-9906	Body cover
29	6-B09-1401	Anti-reverse cam spring
30	6-461-4501	Anti-reverse cam
31	6-111-7011	Anti-reverse claw
32	6-144-5111	Anti-reverse claw spring
33	6-351-7701	Anti-reverse claw screw
34	6-541-3132	Anti-reverse lever
35	6-351-4701	Anti-reverse lever screw
36	6-351-1101	Body cover screw (short)
37	6-353-4911	Body cover screw (long)
38	6-071-0503	Drive gear shaft
39	6-746-5201	Handle
40	6-160-8001	Handle washer
41	6-363-5301	Handle screw B