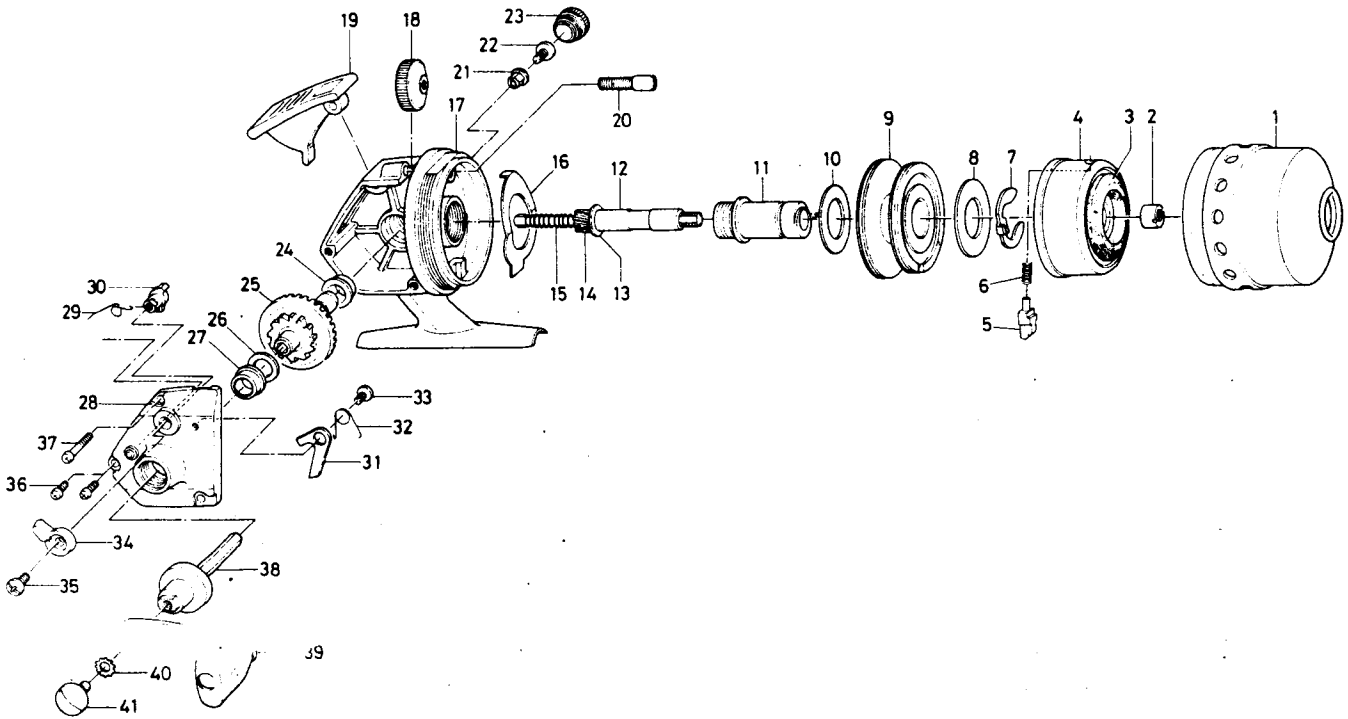


SPINCASTING REEL **Silvercast 210RL**



KEY NO. 3 ~ 6
6-736-6501

ROTOR ASSEMBLY

KEY NO. 12 ~ 15
6-711-1722

MAIN SHAFT ASSEMBLY

Key No.	Parts No.	Parts Name	Key No.	Parts No.	Parts Name
1	6-B09-2101	Front cover	22	6-363-8511	Handle screw A
2	6-342-4911	Rotor nut	23	6-363-6001	Handle screw cap
3	6-330-4311	Line stopper	24	6-637-4801	Drive gear shaft holder
4	6-736-6402	Rotor	25	6-413-5201	Drive gear
5	6-180-3512	Pick up pin	26	6-370-5100	Drive gear washer
6	6-142-4501	Pick up pin spring	27	6-637-4801	Drive gear shaft holder
7	6-320-9101	Spool retainer	28	6-062-9906	Body cover
8	6-370-0412	Spool washer	29	6-809-1401	Anti-reverse cam spring
9	6-B22-4101	Spool	30	6-461-4501	Anti-reverse cam
10	6-370-0412	Spool washer	31	6-111-7011	Anti-reverse claw
11	6-381-7611	Shaft metal	32	6-144-5111	Anti-reverse claw spring
12	6-393-9101	Main shaft	33	6-351-7701	Anti-reverse claw screw
13	6-370-0226	Pinion washer	34	6-541-3132	Anti-reverse lever
14	6-402-6401	Pinion gear	35	6-351-4701	Anti-reverse lever screw
15	6-142-7711	Main shaft spring	36	6-351-1101	Body cover screw (short)
16	6-151-6501	Drag adjusting plate	37	6-353-4911	Body cover screw (long)
17	6-700-8823	Body	38	6-071-0503	Drive gear shaft
18	6-807-9301	Drag adjusting dial	39	6-746-5801	Handle
19	6-B08-1803	Push button	40	6-160-8001	Handle washer
20	6-363-5911	Drag adjusting screw	41	6-363-5301	Handle screw B
21	6-501-8501	Handle screw holder			