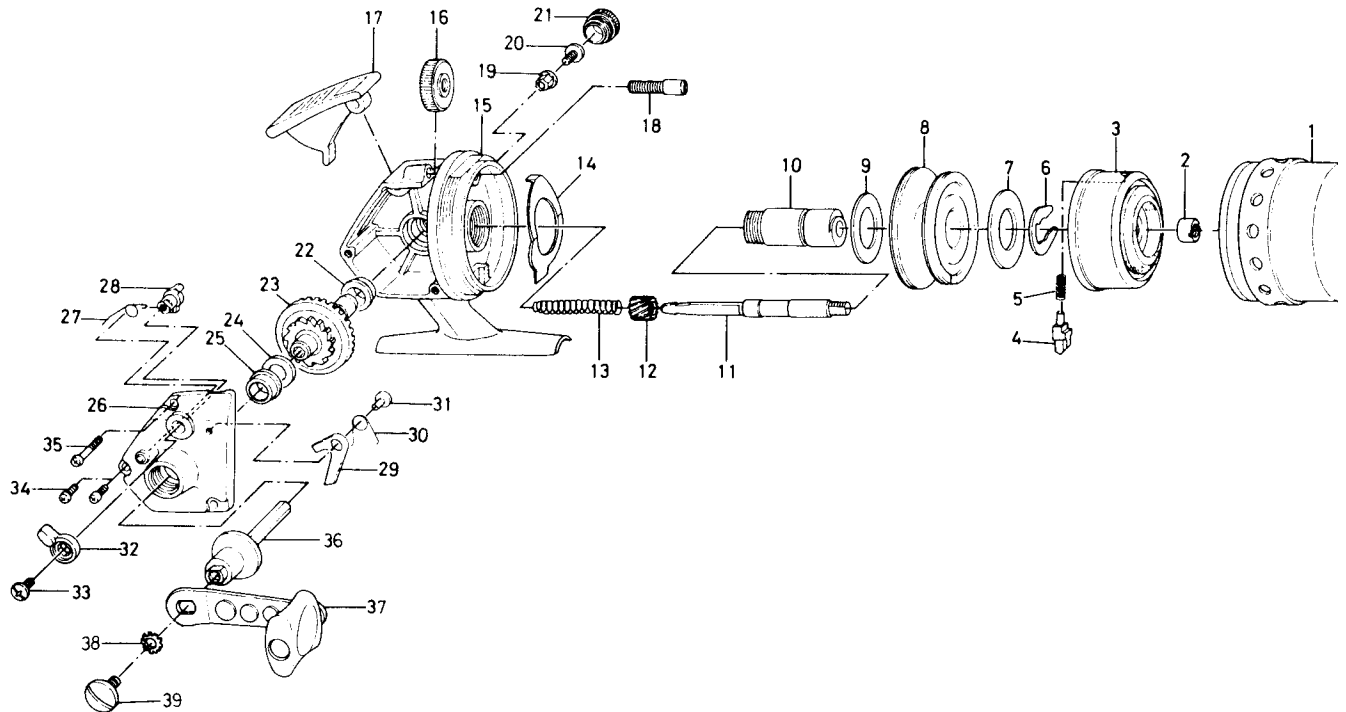


SPINCASTING REEL 206RL



KEY NO. 3 ~ 5
6-B08-2801

ROTOR ASSEMBLY

KEY NO. 11 ~ 13
6-B08-1501

MAIN SHAFT ASSEMBLY

Key No.	Parts No.	Parts Name	Key No.	Parts No.	Parts Name
1	B08-3201	Front cover	21	B03-4802	Handle screw cap
2	B08-3101	Rotor nut	22	637-4801	Drive gear shaft holder
* 3	B08-2901	Rotor	23	B08-2001	Drive gear
* 4	180-3811	Pick up pin	24	370-5100	Drive gear washer
* 5	142-4501	Pick up pin spring	25	637-4801	Drive gear shaft holder
6	320-3601	Spool retainer	26	B08-2101	Body cover
7	373-4412	Spool washer	27	B09-1401	Anti-reverse cam spring
8	B08-2601	Spool	28	461-7601	Anti-reverse cam
9	373-4412	Spool washer	29	111-8501	Anti-reverse claw
10	381-4711	Shaft metal	30	144-5111	Anti-reverse claw spring
11	B08-1601	Main shaft	31	351-7701	Anti-reverse claw screw
12	B08-1701	Pinion gear	32	541-3132	Anti-reverse lever
13	144-0701	Main shaft spring	33	351-4701	Anti-reverse lever screw
14	B08-2401	Drag adjusting plate	34	351-7801	Body cover screw (short)
15	B08-1301	Body	35	B08-2201	Body cover screw (long)
16	342-2401	Drag adjusting dial	36	071-0507	Drive gear shaft
17	B08-1801	Push button	37	746-5201	Handle
18	353-2521	Drag adjusting screw	38	160-8001	Handle washer
19	501-8501	Handle screw holder	39	353-5301	Handle screw B
20	363-8511	Handle screw A			

*Not sold separately. See Rotor Assembly.