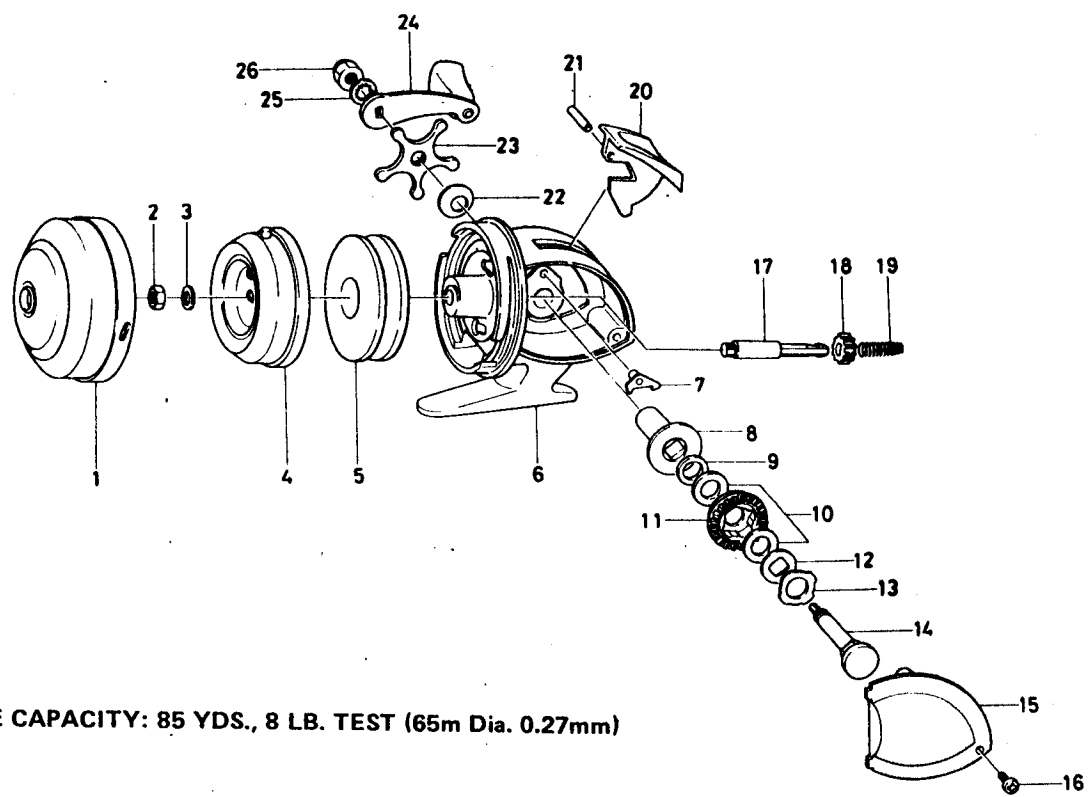




SPINCASTING REEL 2100A



SPOOL LINE CAPACITY: 85 YDS., 8 LB. TEST (65m Dia. 0.27mm)

Key No.	Parts No.	Parts Name	Key No.	Parts No.	Parts Name
1	60082911	Front cover	14	64217301	Drive gear shaft
2	64505111	Rotor nut	15	60618611	Body cover
3	63700226	Rotor nut washer	16	63521801	Body cover screw
4	60082811	Rotor	17	63919011	Main shaft
5	65121611	Spool	18	64003211	Pinion
6	61915711	Body	19	61401512	Main shaft spring
7	67700501	Anti-reverse claw	20	62906911	Push button
8	63814101	Gear shaft metal	21	61212901	Push button pin
9	63730100	Drive gear washer	22	61508101	Star drag spring washer
10	63733211	Drag washer A	23	65501712	Star drag
11	64120301	Drive gear	24	67457901	Handle
12	63733101	Drag washer B	25	61602801	Handle washer
13	63733011	Drag washer C	26	63409313	Handle nut