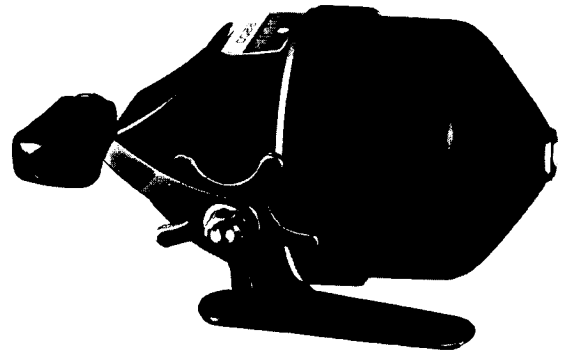




DAIWA

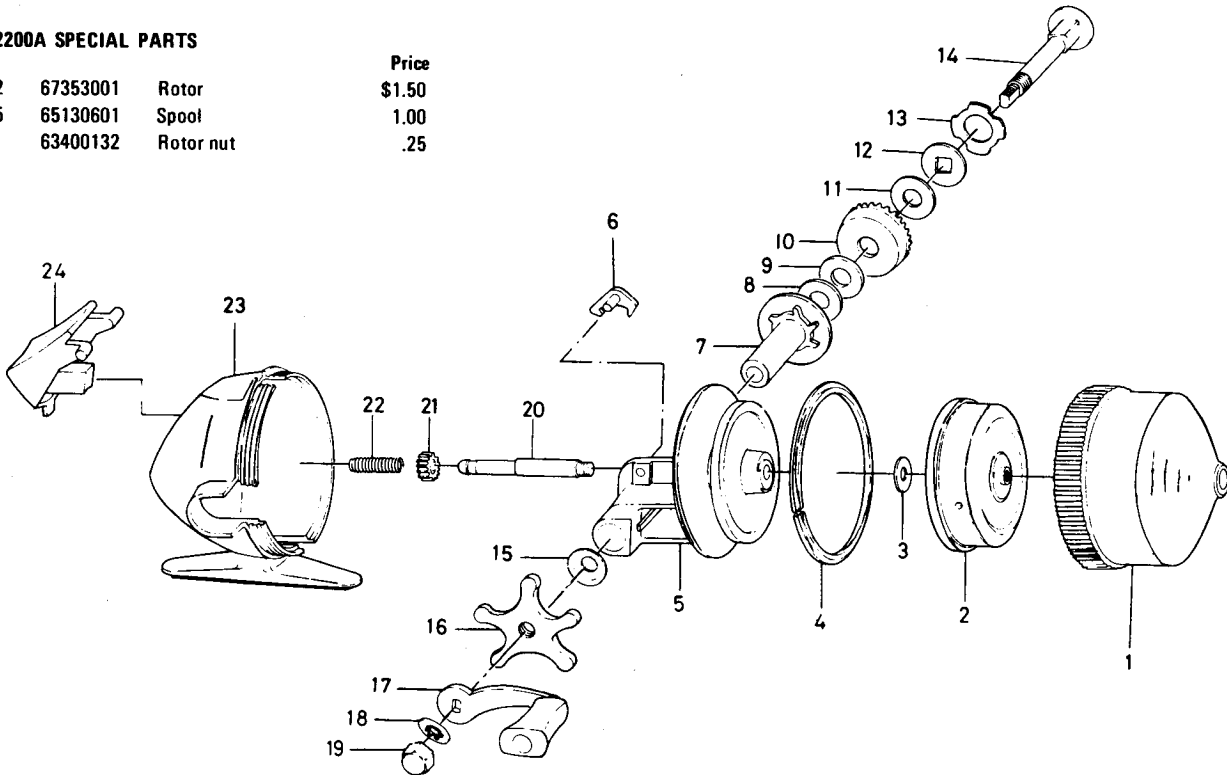
SPINCASTING REEL

2200 2200A



2200A SPECIAL PARTS

			Price
2	67353001	Rotor	\$1.50
5	65130601	Spool	1.00
	63400132	Rotor nut	.25



SPOOL LINE CAPACITY: 85 YDS., 8 LB. TEST

Key No.	Parts No.	Parts Name	Price	Key No.	Parts No.	Parts Name	Price	Key No.	Parts No.	Parts Name	Price
1	67550101	Front cover	\$1.00	9	63733211	Drag washer A	\$.50	17	67450111	Handle	\$.75
2	67350111	Rotor	1.50	10	64120301	Drive gear	.50	18	61602801	Handle washer	.80
3	63733311	Rotor washer	.50	11	63733211	Drag washer B	.50	19	63409313	Handle nut	.50
4	63207301	Spool retaining ring	.50	12	63733101	Drag washer C	.50	20	63918311	Main shaft	.50
5	65121231	Spool	1.00	13	63733011	Drag washer D	.50	21	64003211	Pinion	.50
6	60057701	Anti-reverse claw	.50	14	64211821	Drive gear shaft	.75	22	61409522	Main shaft spring	.50
7	63810821	Gear shaft metal	.50	15	61508101	Star drag spring washer	.50	23	67000111	Body	3.00
8	63730100	Drive gear washer	.50	16	65501712	Star drag	.75	24	62906711	Push button	.50

ALWAYS SPECIFY MODEL NO., PART NAME & PARTS NO. WHEN ORDERING PARTS
PLEASE ENCLOSE CORRECT AMOUNT FOR PART'S PRICE WHEN ORDERING