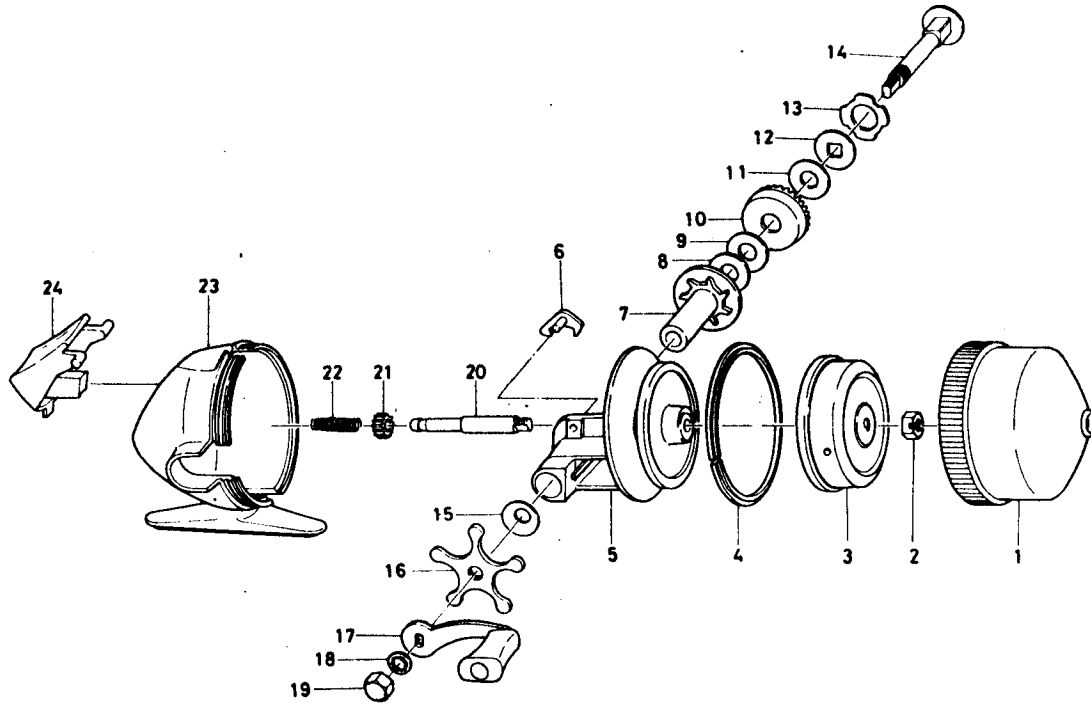


SPINCASTING REEL

2200A



SPOOL LINE CAPACITY: 85 YDS., 8 LB. TEST (80m Dia. 0.27mm)

Key No.	Parts No.	Parts Name	Key No.	Parts No.	Parts Name
1	67550101	Front cover	13	63733011	Drag washer D
2	63400132	Rotor nut	14	64217301	Drive gear shaft
3	67350111	Rotor	15	61508101	Star drag spring washer
4	63207301	Spool retaining ring	16	65501712	Star drag
5	65121231	Spool	17	67450111	Handle
6	60057701	Anti-reverse claw	18	61602801	Handle washer
7	63810821	Gear shaft metal	19	63409313	Handle nut
8	63730100	Drive gear washer	20	63928101	Main shaft
9	63733211	Drag washer A	21	64003211	Pinion
10	64120301	Drive gear	22	61409522	Main shaft spring
11	63733211	Drag washer B	23	67000111	Body
12	63733101	Drag washer C	24	62906711	Push button