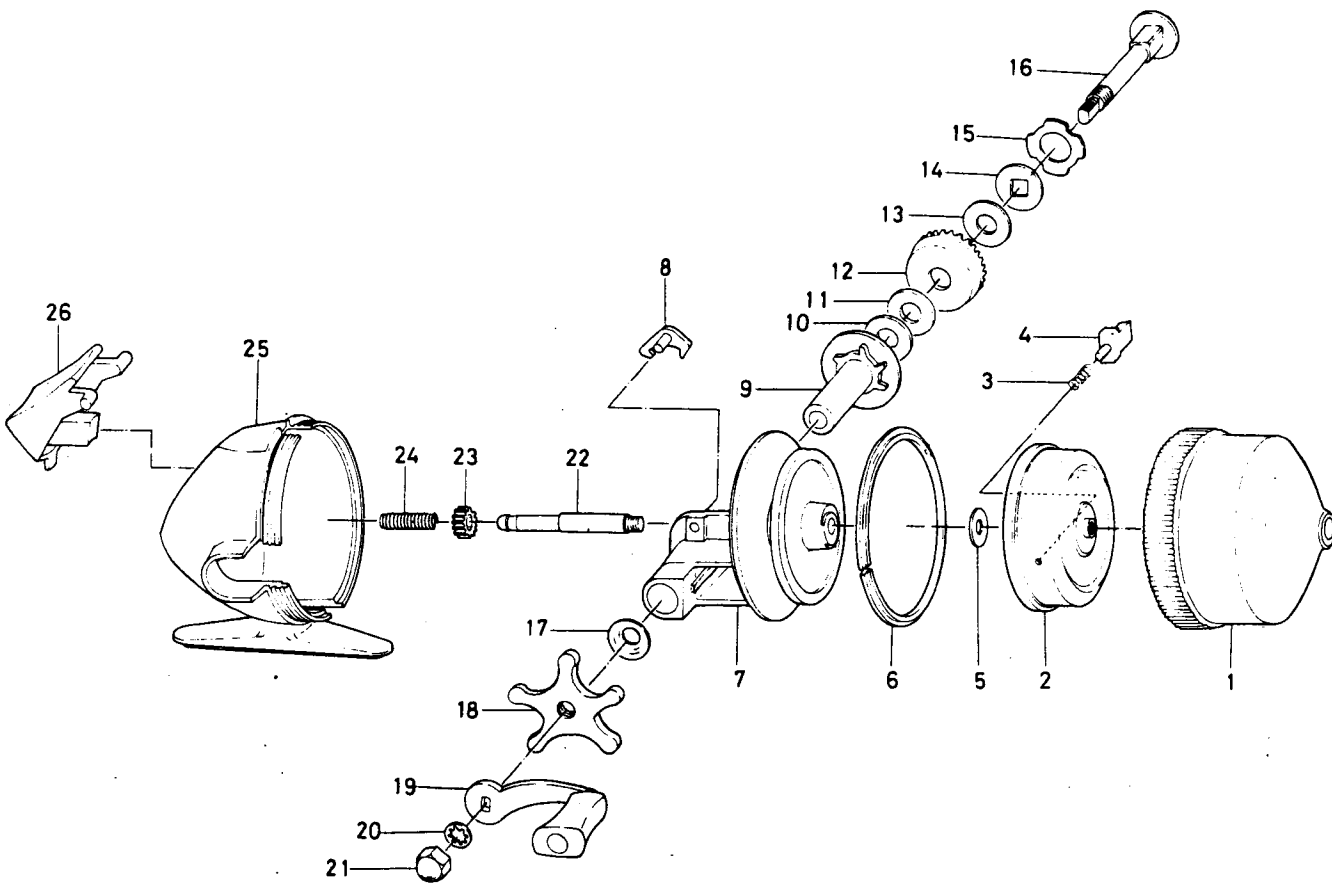


## SPINCASTING REEL 2200A



**KEY NO. 2 ~ 4**  
**6-735-0111**

**ROTOR ASSEMBLY**

Key No.	Parts No.	Parts Name	Key No.	Parts No.	Parts Name
1	6-755-0101	Front cover	14	6-373-3101	Drag washer C
2	6-520-5111	Rotor	15	6-373-3011	Drag washer D
3	6-142-5611	Pick up pin spring	16	6-421-7301	Drive gear shaft
4	6-180-3101	Pick up pin	17	6-150-8101	Star drag spring washer
5	6-373-3311	Rotor washer	18	6-550-1712	Star drag
6	6-320-7301	Spool retaining ring	19	6-745-7901	Handle
7	6-731-1902	Spool	20	6-160-2801	Handle washer
8	6-770-0501	Anti-reverse claw	21	6-340-9314	Handle nut
9	6-381-4101	Gear shaft metal	22	6-393-3301	Main shaft
10	6-373-0100	Drive gear washer	23	6-400-3211	Pinion gear
11	6-373-3211	Drag washer A	24	6-140-9522	Main shaft spring
12	6-412-0301	Drive gear	25	6-700-0113	Body
13	6-373-3211	Drag washer B	26	6-290-6711	Push button