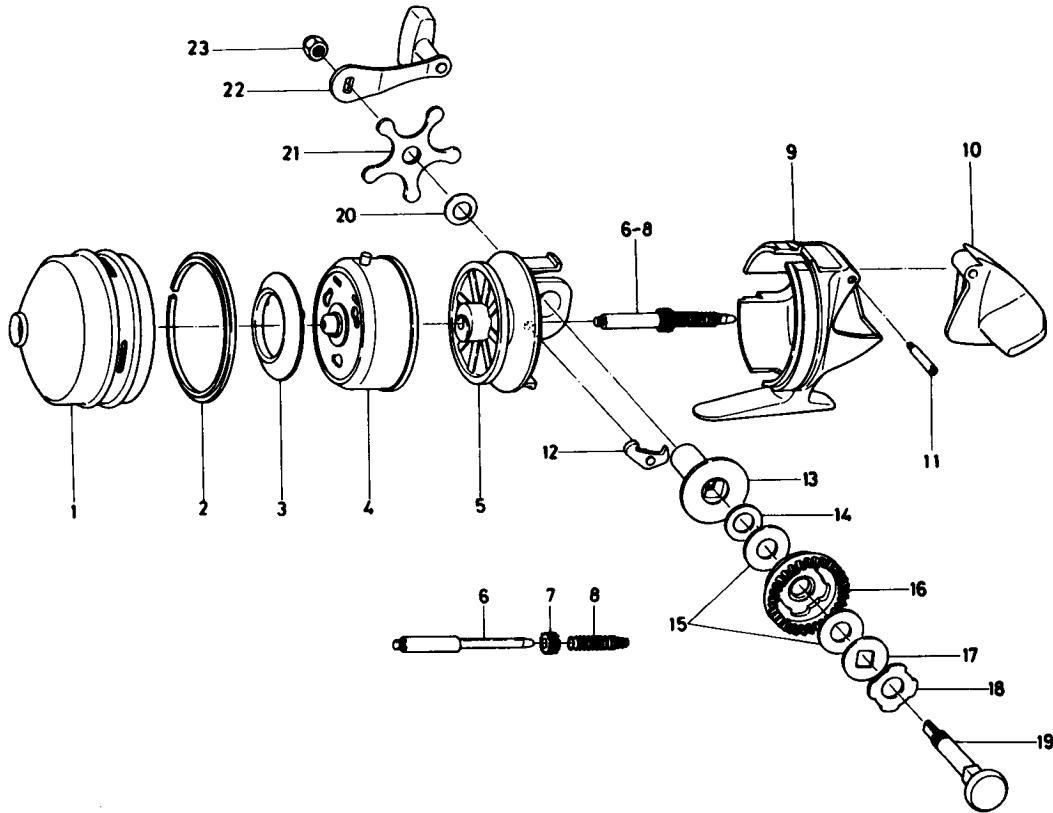


SPINCASTING REEL
24


SPOOL LINE CAPACITY: 125 YDS., 8 LB. TEST (100m Dia. 0.27mm)

Key No.	Parts No.	Parts Name	Price	Key No.	Parts No.	Parts Name	Price
1	67550501	Front cover	\$ 3.00	12	67700601	Anti-reverse claw	\$ 0.50
2	61710101	Spool retaining ring	0.50	13	62805201	Gear shaft metal	0.50
3	63301611	Line stopper	0.50	14	63707510	Drive gear washer	0.50
4	67354201	Rotor	2.50	15	63750401	Drag washer A	0.50
5	65132601	Spool	2.00	16	64130701	Drive gear	1.00
6~8	67108401	Main shaft assembly	1.50	17	63750301	Drag washer B	0.50
6	63930101	Main shaft	1.00	18	63550201	Drag washer C	0.50
7	64022501	Pinion	0.50	19	64218001	Drive gear shaft	1.00
8	61421211	Main shaft spring	0.50	20	61506801	Star drag spring washer	0.50
9	67005201	Body	4.50	21	65502901	Star drag	1.00
10	62908301	Push button	1.00	22	67459301	Handle	1.50
11	63532201	Push button screw	0.50	23	63409313	Handle nut	0.50

ALWAYS SPECIFY MODEL NO., PARTS NAME & PARTS NO. WHEN ORDERING PARTS
PLEASE ENCLOSE CORRECT AMOUNT FOR PART'S PRICE WHEN ORDERING

Page	43
Date	12-1-74
Rev. No.	0