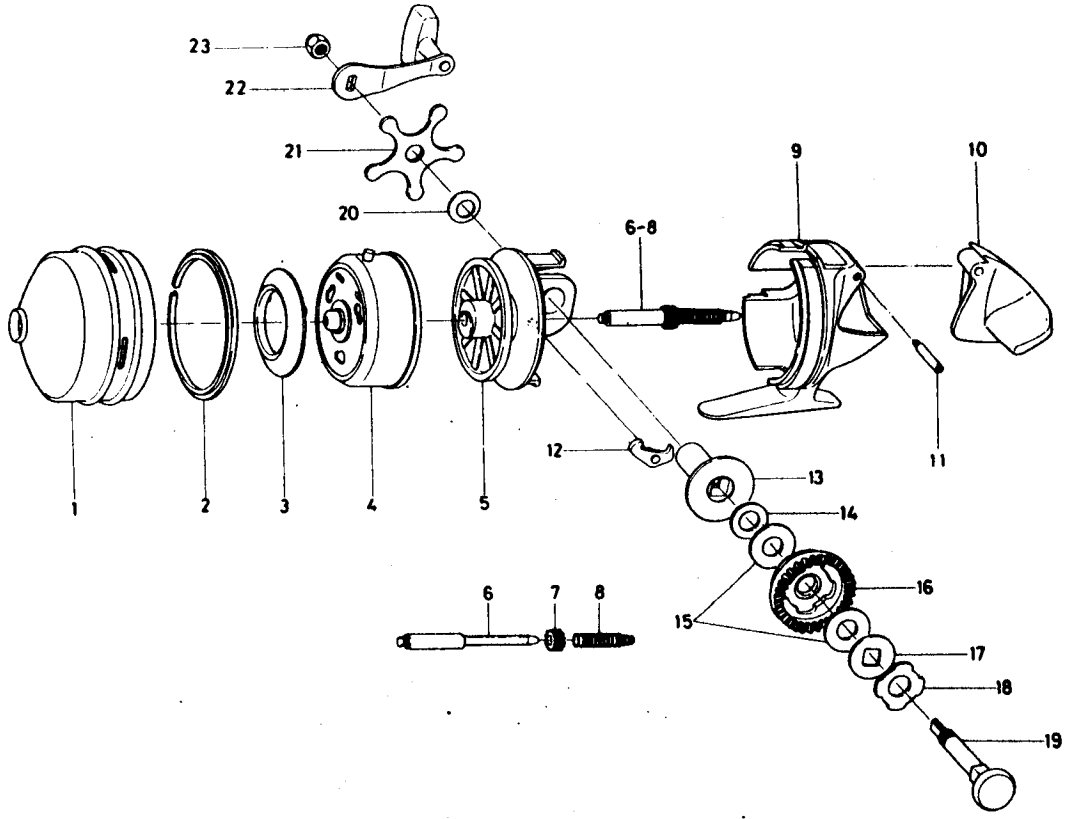


SPINCASTING REEL 24



SPOOL LINE CAPACITY: 125 YDS., 8 LB. TEST (100m Dia. 0.27mm)

Key No.	Parts No.	Parts Name
1	67550501	Front cover
2	61710101	Spool retaining ring
3	63301611	Line stopper
4	67354201	Rotor
5	65132601	Spool
6~8	67108401	Main shaft assembly
6	63930101	Main shaft
7	64022501	Pinion
8	61421211	Main shaft spring
9	67005201	Body
10	62908301	Push button
11	63532201	Push button screw

Key No.	Parts No.	Parts Name
12	67700601	Anti-reverse claw
13	62805201	Gear shaft metal
14	63707510	Drive gear washer
15	63750401	Drag washer A
16	64130701	Drive gear
17	63750301	Drag washer B
18	63750201	Drag washer C
19	64218001	Drive gear shaft
20	61506801	Star drag spring washer
21	65502901	Star drag
22	67459301	Handle
23	63409313	Handle nut