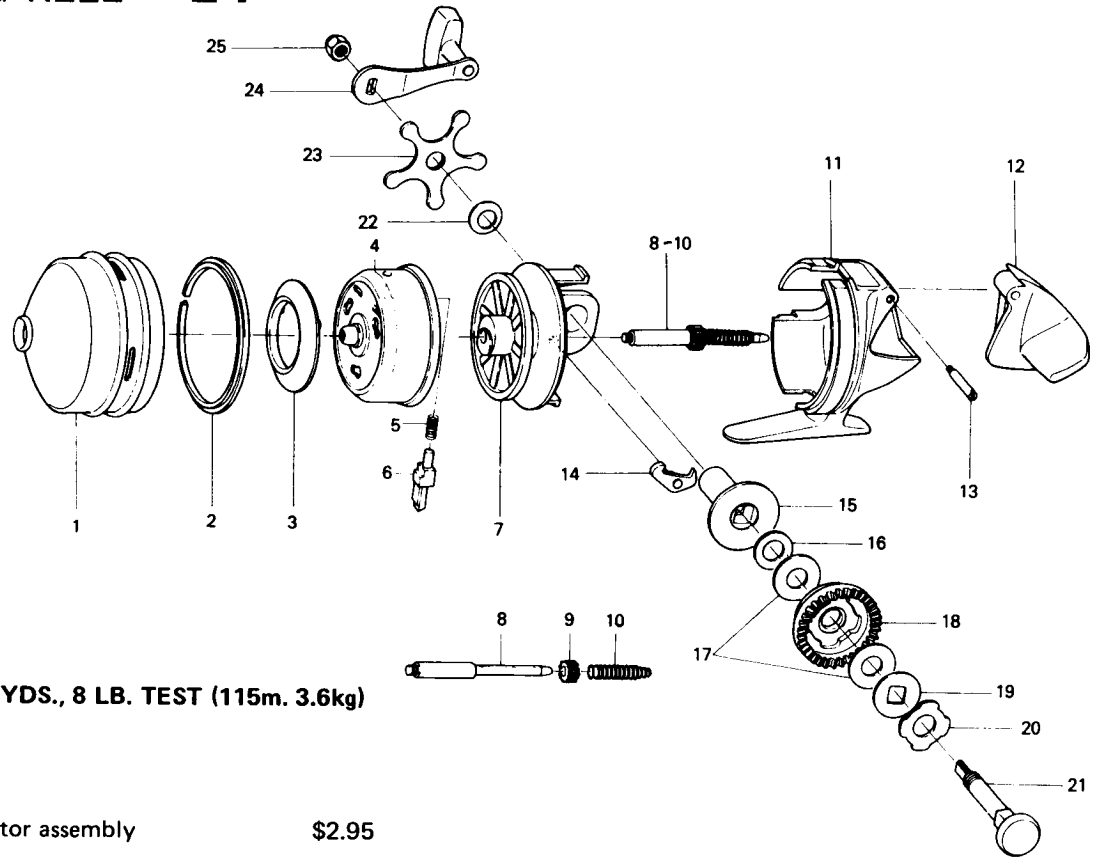


**SPINCASTING REEL 24**



**LINE CAPACITY: 125 YDS., 8 LB. TEST (115m. 3.6kg)**

Key No. 4 ~ 6

6-735-4201 Rotor assembly \$2.95

Key No.	Parts No.	Parts Name	Price Per Piece	Key No.	Parts No.	Parts Name	Price Per Piece
1	6-755-0501	Front cover	\$3.70	14	6-770-0601	Anti-reverse claw	\$ .50
2	6-171-0101	Spool retaining ring	.10	15	6-280-5201	Gear shaft metal	.50
3	6-330-1611	Line stopper	.35	16	6-370-7510	Drive gear washer	.10
4	6-735-4301	Rotor	N/A	17	6-375-0401	Drag washer A	.10
5	6-142-4501	Pick up pin spring	.10	18	6-413-0701	Drive gear	.70
6	6-180-2612	Pick up pin	.50	19	6-375-0301	Drag washer B	.10
7	6-513-2601	Spool	2.00	20	6-375-0201	Drag washer C	.10
8	6-393-0101	Main shaft	N/A	21	6-421-8001	Drive gear shaft	.70
9	6-402-2501	Pinion gear	.20	22	6-150-6801	Star drag spring washer	.10
10	6-142-1211	Main shaft spring	.10	23	6-550-2901	Star drag	.60
11	6-700-5201	Body	3.75	24	6-745-9301	Handle	1.85
12	6-290-8301	Push button	.70	25	6-340-9313	Handle nut	.20
13	6-353-2201	Push button screw	.20				