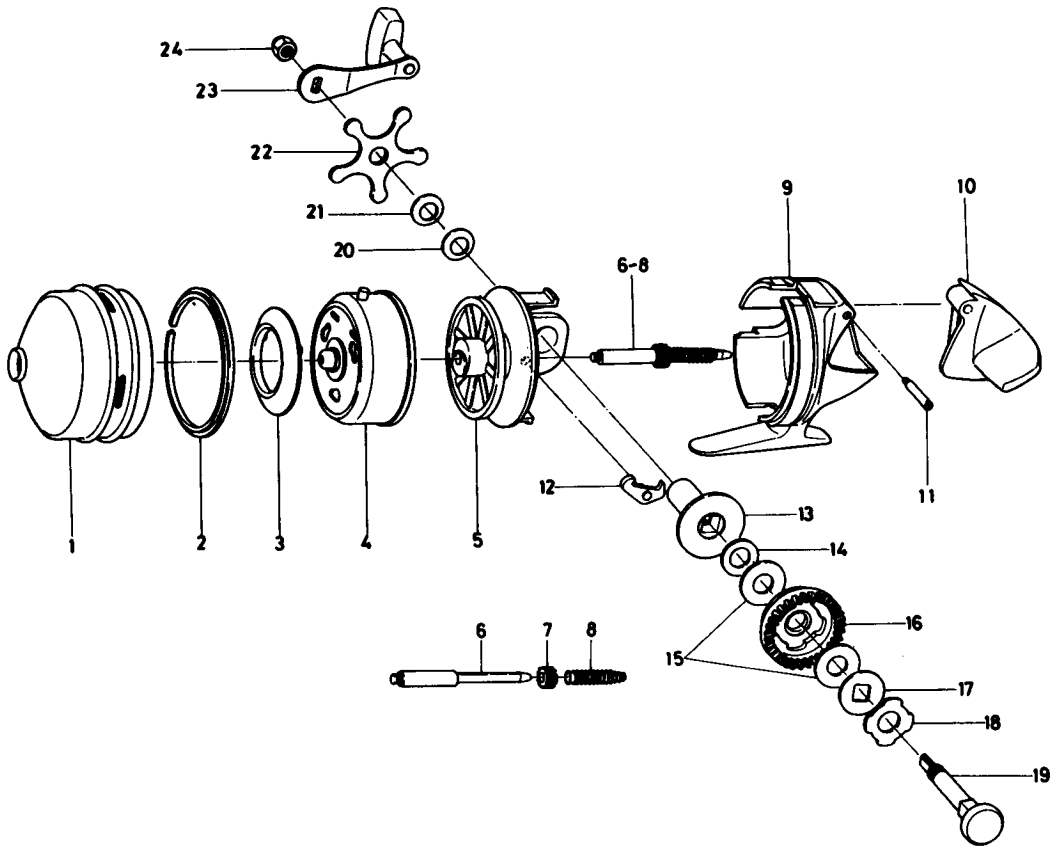


## SPINCASTING REEL

# 28



**SPOOL LINE CAPACITY: 100 YDS., 15 LB. TEST (88m Dia. 0.40mm)**

Key No.	Parts No.	Parts Name	Price	Key No.	Parts No.	Parts Name	Price
1	67550601	Front cover	\$ 3.00	13	62805201	Gear shaft metal	\$ 0.50
2	61710001	Spool retaining ring	0.50	14	63707510	Drive gear washer	0.50
3	63302501	Line stopper	0.50	15	63750401	Drag washer A	0.50
4	67354202	Rotor	2.50	16	64130701	Drive gear	1.00
5	65132701	Spool	2.00	17	63750301	Drag washer B	0.50
6~8	67108401	Main shaft assembly	1.50	18	63550201	Drag washer C	0.50
6	63930101	Main shaft	1.00	19	64218001	Drive gear shaft	1.00
7	64022501	Pinion	0.50	20	63705153	Star drag washer	0.50
8	61418321	Main shaft spring	0.50	21	61506801	Star drag spring washer	0.50
9	67005301	Body	5.00	22	65502901	Star drag	1.00
10	62908401	Push button	1.00	23	67459301	Handle	1.50
11	63532201	Push button screw	0.50	24	63409313	Handle nut	0.50
12	67700601	Anti-reverse claw	0.50				

ALWAYS SPECIFY MODEL NO., PARTS NAME & PARTS NO. WHEN ORDERING PARTS  
PLEASE ENCLOSE CORRECT AMOUNT FOR PART'S PRICE WHEN ORDERING