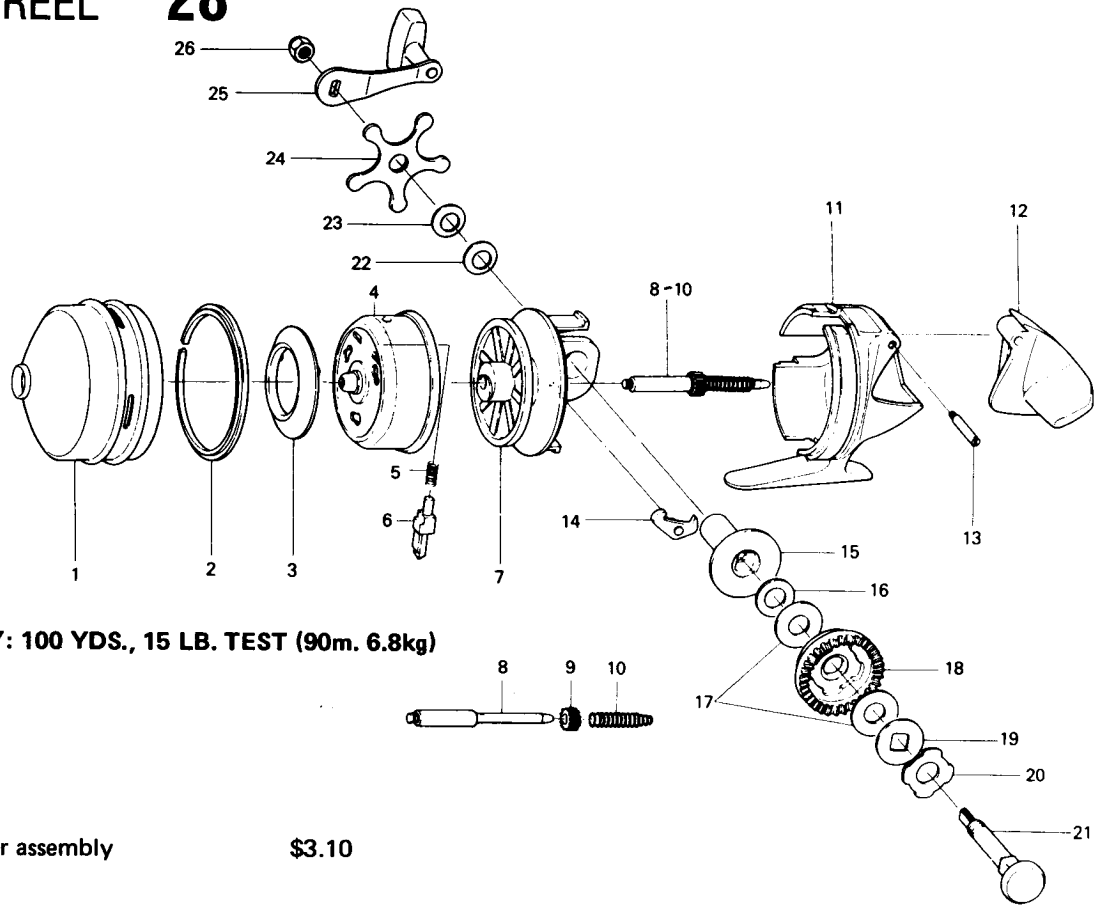


SPINCASTING REEL

28



SPOOL LINE CAPACITY: 100 YDS., 15 LB. TEST (90m. 6.8kg)

Key No. 4 ~ 6

6-735-4203 Rotor assembly \$3.10

Key No.	Parts No.	Parts Name	Price Per Piece	Key No.	Parts No.	Parts Name	Price Per Piece
1	6-755-0601	Front cover	\$4.05	14	6-770-0601	Anti-reverse claw	\$.50
2	6-171-0001	Spool retaining ring	.10	15	6-280-5201	Gear shaft metal	.50
3	6-330-2501	Line stopper	.35	16	6-370-7510	Drive gear washer	.10
4	6-735-4302	Rotor	N/A	17	6-375-0401	Drag washer A	.10
5	6-142-4501	Pick up pin spring	.10	18	6-413-0701	Drive gear	.70
6	6-180-3611	Pick up pin	.50	19	6-375-0301	Drag washer B	.10
7	6-513-2701	Spool	2.00	20	6-375-0201	Drag washer C	.10
8	6-393-0101	Main shaft	N/A	21	6-421-8001	Drive gear shaft	.70
9	6-402-2501	Pinion gear	.20	22	6-370-5153	Star drag washer	.10
10	6-141-8321	Main shaft spring	.10	23	6-150-6801	Star drag spring washer	.10
11	6-700-5301	Body	5.05	24	6-550-2901	Star drag	.60
12	6-290-8401	Push button	.70	25	6-745-9301	Handle	1.85
13	6-353-2201	Push button screw	.20	26	6-340-9313	Handle nut	.20