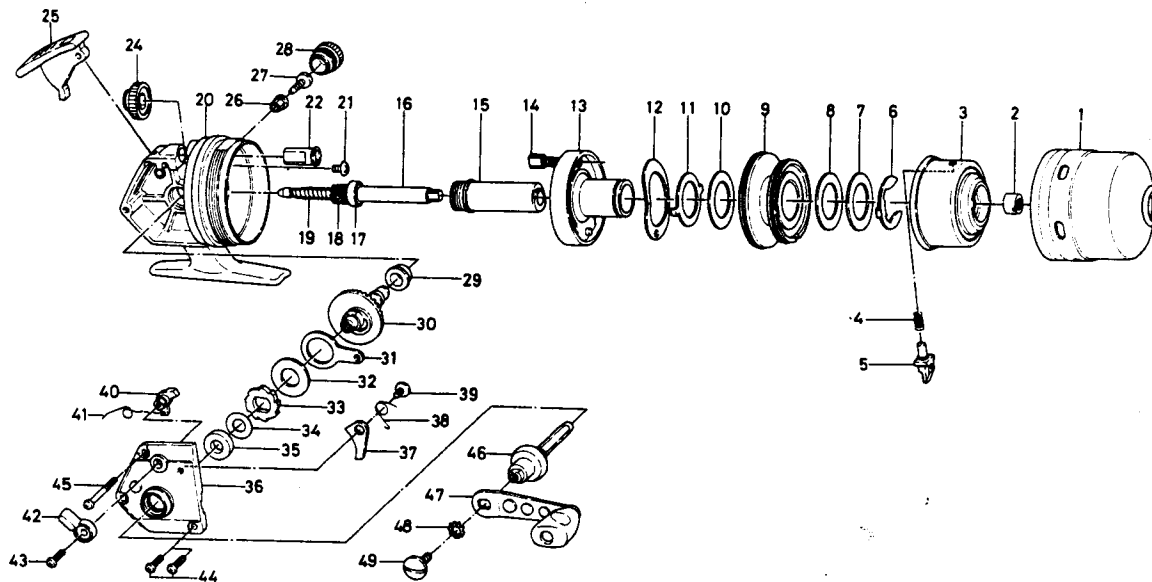


SPINCASTING REEL 508RL



KEY NO. 3 ~ 5
6-736-7601

ROTOR ASSEMBLY

KEY NO. 16 ~ 19
6-711-5201

MAIN SHAFT ASSEMBLY

Key No.	Parts No.	Parts Name	Key No.	Parts No.	Parts Name
1	6-755-2202	Front cover	26	6-501-8501	Handle screw holder
2	6-342-4911	Rotor nut	27	6-363-8511	Handle screw A
3	6-736-7701	Rotor	28	6-803-4803	Handle screw cap
4	6-142-5111	Pick up pin spring	29	6-637-4801	Drive gear shaft holder
5	6-783-0001	Pick up pin	30	6-414-1801	Drive gear
6	6-321-1001	Spool retainer	31	6-481-3011	Oscillating slider
7	6-376-1901	Spool washer A	32	6-375-0502	Drive gear washer A
8	6-376-2101	Spool washer B	33	6-280-9301	Ratchet
9	6-734-3211	Spool	34	6-370-5100	Drive gear washer B
10	6-376-2101	Drag washer A	35	6-636-6601	Bearing metal
11	6-376-2001	Drag washer B	36	6-063-3903	Body cover
12	6-151-8901	Drag adjusting plate	37	6-111-7011	Anti-reverse claw
13	6-782-9932	Oscillating plate	38	6-144-5111	Anti-reverse claw spring
14	6-364-0431	Drag adjusting screw	39	6-351-7701	Anti-reverse claw screw
15	6-382-1721	Shaft metal	40	6-461-4501	Anti-reverse cam
16	6-394-1101	Main shaft	41	6-809-1401	Anti-reverse cam spring
17	6-633-8811	Ball bearing	42	6-541-3132	Anti-reverse lever
18	6-402-6401	Pinion gear	43	6-351-4701	Anti-reverse lever screw
19	6-142-7711	Main shaft spring	44	6-353-0001	Body cover screw (short)
20	6-701-5502	Body	45	6-353-4911	Body cover screw (long)
21	6-352-2201	Collar stopper screw	46	6-071-0503	Drive gear shaft
22	6-502-0101	Drag adjusting collar	47	6-747-8101	Handle
24	6-809-4401	Drag adjusting dial	48	6-160-8001	Handle washer
25	6-781-6311	Push button	49	6-363-5301	Handle screw B