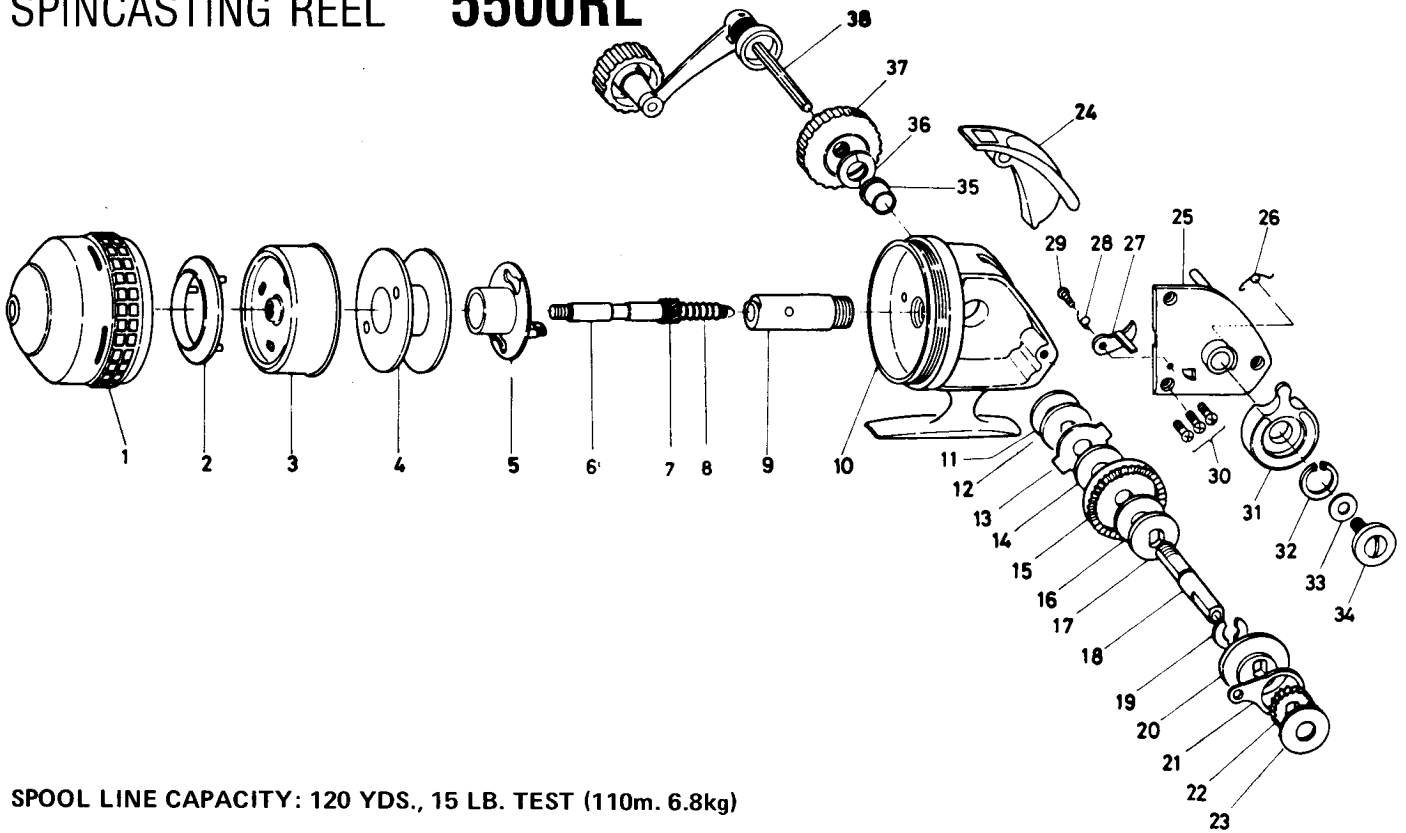


SPINCASTING REEL 5500RL



SPOOL LINE CAPACITY: 120 YDS., 15 LB. TEST (110m. 6.8kg)

Key No.	Parts No.	Parts Name	Price Per Piece	Key No.	Parts No.	Parts Name	Price Per Piece
1	6-008-0501	Front cover	\$8.10	20	6-634-0501	Oscillating cam	\$.35
2	6-330-2501	Line stopper	.35	21	6-480-6401	Oscillating slider	.25
3	6-735-0811	Rotor	5.00	22	6-280-2901	Ratchet	.95
4	6-006-7821	Spool	3.10	23	6-374-6600	Ratchet washer	.20
5	6-007-9901	Spool retainer	3.40	24	6-008-4515	Push button	2.25
6-8	6-008-4401	Main shaft assembly	2.20	25	6-061-8421	Body cover	2.30
6	6-391-8801	Main shaft	1.30	26	6-142-6011	Anti-reverse lever spring	.10
7	6-401-4201	Pinion	.80	27	6-110-7601	Anti-reverse claw	.25
8	6-142-7701	Main shaft spring	.10	28	6-142-5901	Anti-reverse claw spring	.10
9	6-381-1301	Shaft metal	2.25	29	6-351-7701	Anti-reverse claw screw	.10
10	6-191-5521	Body	9.45	30	6-351-6401	Body cover screw	.10
11	6-370-7510	Drive gear adjusting washer	.10	31	6-008-0205	Anti-reverse lever	1.00
12	6-373-3803	Drag disc washer A	.25	32	6-320-3401	Anti-reverse lever retainer	.25
13	6-374-6011	Drag disc washer B	.25	33	6-371-9521	Handle washer	.10
14	6-373-3802	Drag disc washer C	.25	34	6-008-0101	Handle screw	1.05
15	6-412-0511	Drive gear	1.00	35	6-381-1101	Drive gear metal	.50
16	6-373-3901	Drag disc washer D	.25	36	6-150-8201	Drag spring washer	.15
17	6-373-3801	Drag disc washer E	.25	37	6-007-9601	Drag knob	1.30
18	6-421-1901	Drive gear shaft	2.15	38	6-745-6911	Handle	4.60
19	6-320-3601	Drive gear shaft retainer	.20				