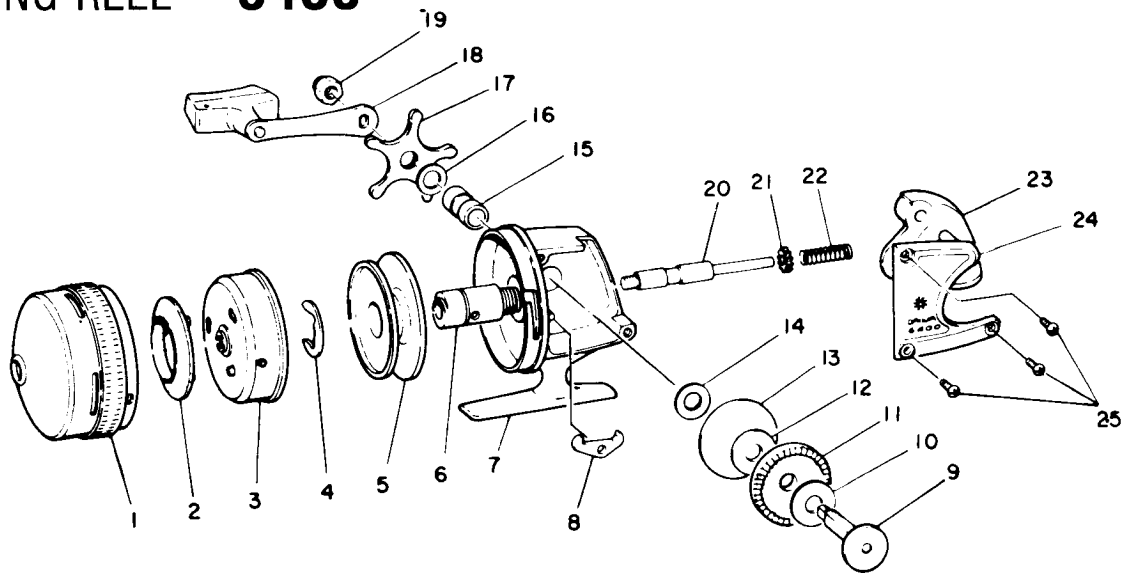


SPINCASTING REEL **6400**



SPOOL LINE CAPACITY: 100 YDS., 8 LB. TEST (90m. 3.6kg)

Key No.	Parts No.	Parts Name	Price Per Piece	Key No.	Parts No.	Parts Name	Price Per Piece
1	6-006-9612	Front cover	\$2.40	14	6-370-9920	Drag washer C	\$ .10
2	6-330-1611	Line stopper	.35	15	6-380-9312	Drive gear shaft holder	.55
3	6-735-0301	Rotor	2.95	16	6-150-6801	Star drag spring washer	.10
4	6-320-0351	Spool retainer	.15	17	6-550-1713	Star drag	.60
5	6-512-0801	Spool	2.30	18	6-007-0701	Handle	1.40
6	6-381-0712	Shaft metal	1.40	19	6-341-1401	Handle nut	.95
7	6-191-4301	Body	6.75	20	6-391-8201	Main shaft	1.00
8	6-110-5801	Anti-reverse claw	.15	21	6-401-2101	Pinion	.25
9	6-001-9712	Drive gear shaft	1.90	22	6-142-1211	Main shaft spring	.10
10	6-374-7501	Drag washer A	.25	23	6-290-6601	Push button	.95
11	6-411-7701	Drive gear	1.20	24	6-006-9701	Body cover	2.15
12	6-372-6711	Drag washer B	.25	25	6-351-1101	Body cover screw (3 pcs.)	.10
13	6-280-2401	Anti-reverse gear	.80				