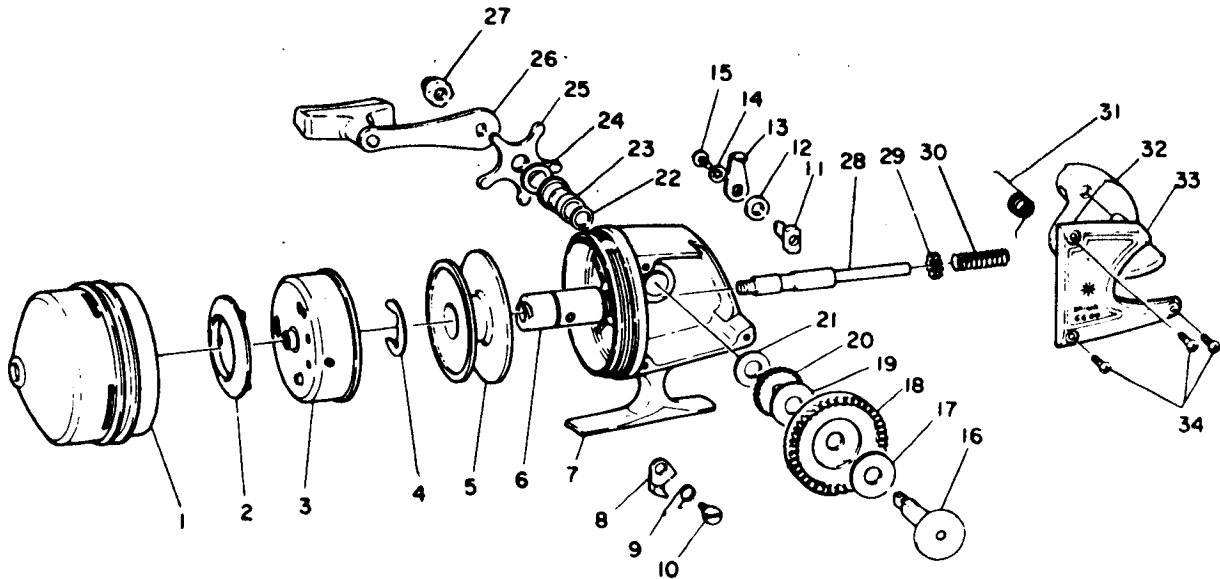




# SPINCASTING REEL 6600



**SPOOL LINE CAPACITY: 100 YDS., 12 LB. TEST (60m Dia. 0.40mm)**

Key No.	Parts No.	Parts Name	Key No.	Parts No.	Parts Name
1	60078301	Front cover	18	64116701	Drive gear
2	63301611	Line stopper	19	63726711	Drag washer B
3	60070901	Rotor	20	62802101	Anti-reverse gear
4	63200352	Spool retainer	21	63709920	Drag washer C
5	65120201	Spool	22	63727602	Shaft holder washer
6	63810311	Shaft metal	23	63809312	Drive gear shaft holder
7	61914111	Body	24	61506801	Star drag spring washer
8	61105401	Anti-reverse claw	25	65501601	Star drag
9	61418201	Anti-reverse claw spring	26	60069101	Handle
10	63614501	Anti-reverse claw screw	27	63411401	Handle nut
11	64607301	Anti-reverse cam	28	63917401	Main shaft
12	61501751	Anti-reverse lever spring washer	29	64010811	Pinion
13	65407101	Anti-reverse lever	30	61418321	Main shaft spring
14	61603111	Anti-reverse lever washer	31	61418411	Push button spring
15	63514701	Anti-reverse lever screw	32	62906401	Push button
16	60019712	Drive gear shaft	33	60070411	Body cover
17	63747501	Drag washer A	34	63511101	Body cover screw (3 pcs.)

<b>Darwa</b>
Page 104
Date 12-75
Rev. No. 00