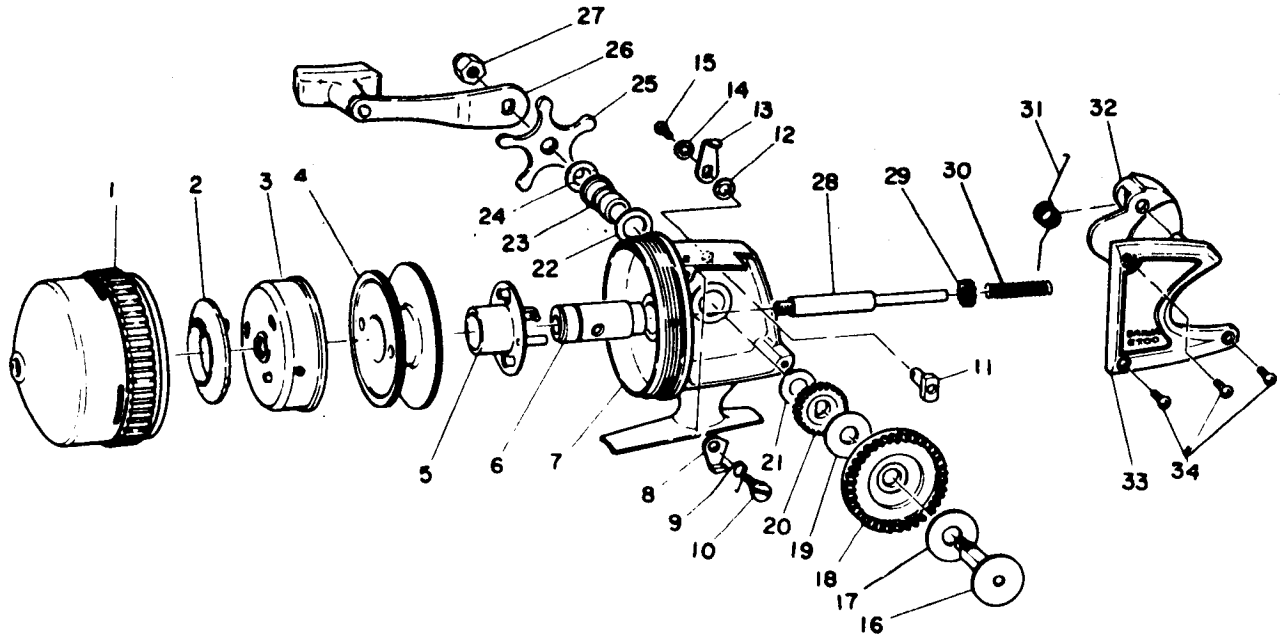


SPINCASTING REEL 6700



SPOOL LINE CAPACITY: 120 YDS., 15 LB. TEST (90m Dia. 0.40mm)

Key No.	Parts No.	Parts Name	Key No.	Parts No.	Parts Name
1	60068021	Front cover	18	64115901	Drive gear
2	63302501	Line stopper	19	63726711	Drag washer B
3	60067911	Rotor	20	62802101	Anti-reverse gear
4	60067821	Spool	21	63709920	Drag washer C
5	60019901	Spool retainer	22	63727602	Shaft holder washer
6	63811012	Shaft metal	23	63809312	Drive gear shaft holder
7	61914021	Body	24	61506801	Star drag spring washer
8	61105401	Anti-reverse claw	25	65501601	Star drag
9	61418201	Anti-reverse claw spring	26	60069101	Handle
10	63614501	Anti-reverse claw screw	27	63411401	Handle nut
11	64607301	Anti-reverse cam	28	63918511	Main shaft
12	61501751	Anti-reverse lever spring washer	29	64010811	Pinion
13	65407101	Anti-reverse lever	30	61418321	Main shaft spring
14	61603111	Anti-reverse lever washer	31	61418411	Push button spring
15	63514701	Anti-reverse lever screw	32	62906401	Push button
16	60019712	Drive gear shaft	33	60068101	Body cover
17	63747501	Drag washer A	34	63511101	Body cover screw (3 pcs.)