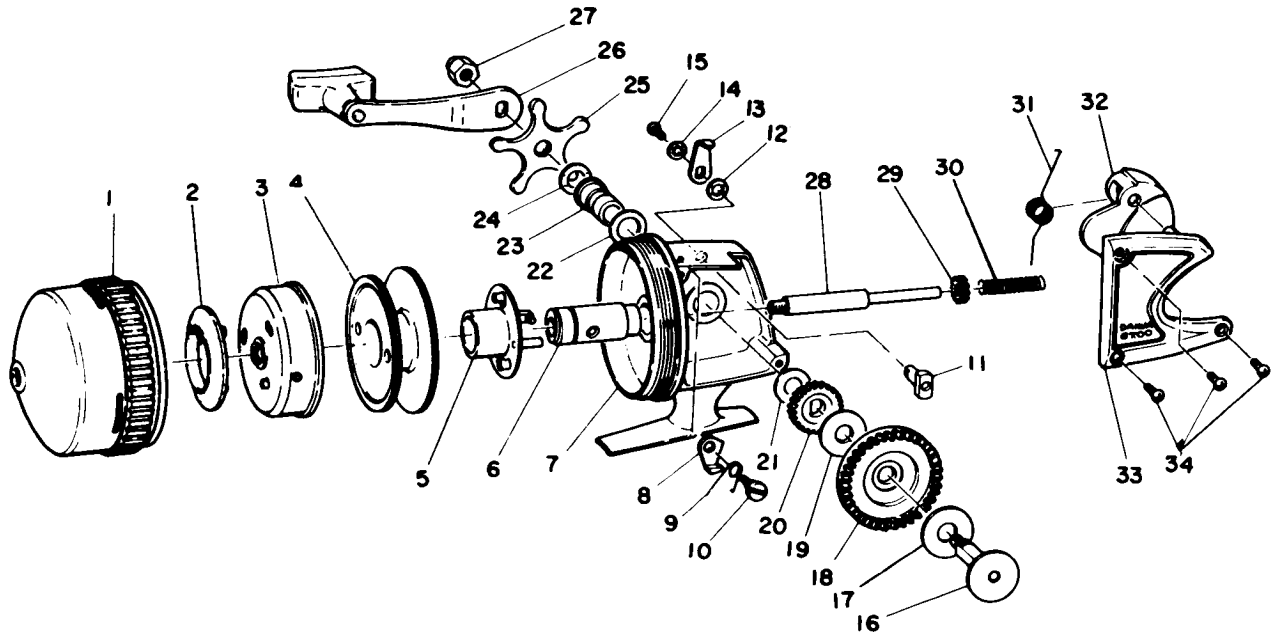


# SPINCASTING REEL 6700



**SPOOL LINE CAPACITY: 120 YDS., 15 LB. TEST (110m. 6.8kg)**

Key No.	Parts No.	Parts Name	Price Per Piece	Key No.	Parts No.	Parts Name	Price Per Piece
1	6-006-8021	Front cover	\$8.10	18	6-411-5901	Drive gear	\$4.05
2	6-330-2501	Line stopper	.35	19	6-372-6711	Drag washer B	.25
3	6-006-7911	Rotor	4.95	20	6-280-2101	Anti-reverse gear	1.35
4	6-006-7821	Spool	2.50	21	6-370-9920	Drag washer C	.10
5	6-001-9901	Spool retainer	3.50	22	6-372-7602	Shaft holder washer	.10
6	6-381-1012	Shaft metal	2.15	23	6-380-9312	Drive gear shaft holder	.75
7	6-191-4021	Body	9.10	24	6-150-6801	Star drag spring washer	.10
8	6-110-5401	Anti-reverse claw	.55	25	6-550-1601	Star drag	1.10
9	6-141-8201	Anti-reverse claw spring	.15	26	6-006-9101	Handle	1.90
10	6-361-4501	Anti-reverse claw screw	.20	27	6-341-1401	Handle nut	.95
11	6-460-7301	Anti-reverse cam	.35	28	6-391-8511	Main shaft	1.20
12	6-150-1751	Anti-reverse lever spring washer	.10	29	6-401-0811	Pinion	.80
13	6-540-7101	Anti-reverse lever	.35	30	6-141-8321	Main shaft spring	.10
14	6-160-3111	Anti-reverse lever washer	.10	31	6-141-8411	Push button spring	.10
15	6-351-4701	Anti-reverse lever screw	.10	32	6-290-6401	Push button	1.00
16	6-001-9712	Drive gear shaft	2.45	33	6-006-8101	Body cover	4.50
17	6-374-7501	Drag washer A	.25	34	6-351-1101	Body cover screw (3 pcs.)	.10