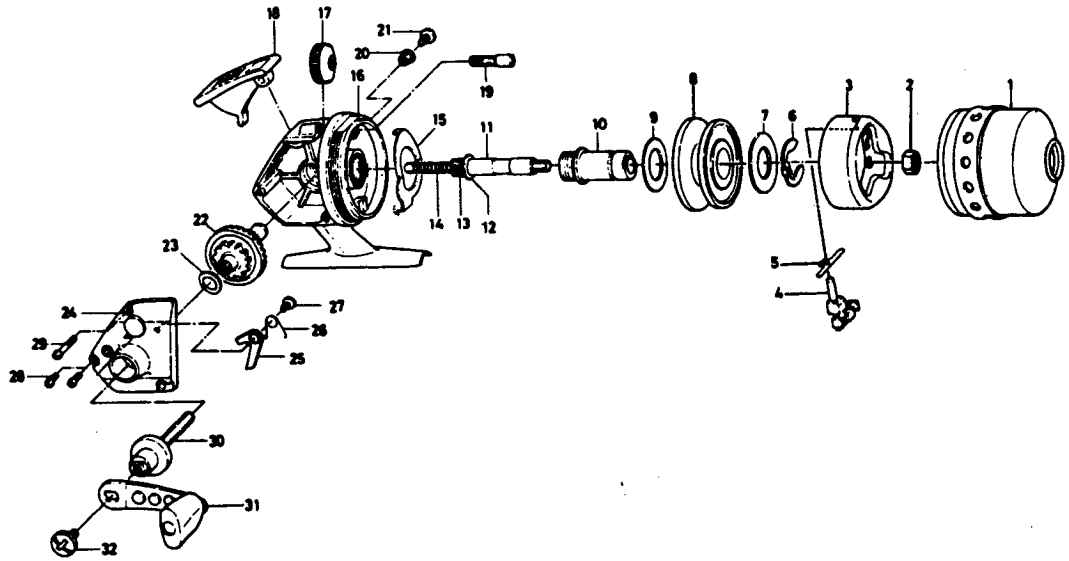


SPINCASTING REEL **80RLX/208/308RL**



Key No.	Parts No.	Parts Name	Key No.	Part No.	Parts Name
* 1		Front cover	17	.B07-9301	Drag adjusting dial
2	.B64-4201	Rotor nut	* 18		Push button
3	.E04-8001	Rotor	19	.363-5911	Drag adjusting screw
4	.B08-8203	Pick up pin	20	.501-8501	Handle screw holder
5	.B71-6101	Pick up pin spring	21	.E04-7801	Handle screw A
6	.320-9101	Spool retainer	22	.413-5201	Drive gear
7	.370-0412	Spool washer	23	.370-5100	Drive gear washer
8	.E04-7901	Spool	24	.E04-7601	Body cover
9	.370-0412	Spool washer	25	.111-7012	Anti-reverse claw
10	.E04-7401	Shaft metal	26	.144-5111	Anti-reverse claw spring
11	.393-9101	Main shaft	27	.351-7703	Anti-reverse claw screw
12	.370-0226	Pinion washer	28	.351-1101	Body cover screw (short)
13	.402-6401	Pinion gear	29	.b08-2201	Body cover screw (long)
14	.142-7711	Main shaft spring	30	.071-0510	Drive gear shaft
15	.151-65Q1	Drag adjusting plate	31	.E04-8701	Handle
16	.E04-7301	Body	32	.352-1101	Handle screw B

\*Order by model and part name due to color change.