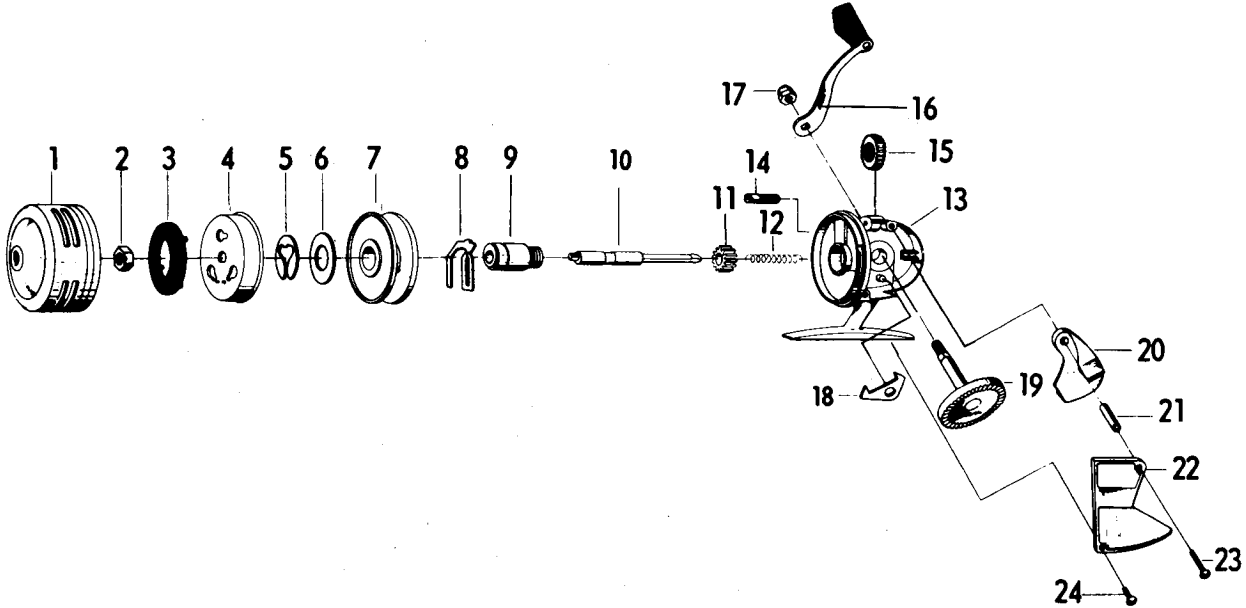




**SPINCASTING REEL 9300c**



**SPOOL LINE CAPACITY: 80 YDS., 8 LB. TEST**

Key No.	Parts No.	Parts Name	Price	Key No.	Parts No.	Parts Name	Price	Key No.	Parts No.	Parts Name	Price
1	60050901 (A00509)	Front cover	\$2.00	9	63810431 (38104)	Shaft metal	\$1.00	17	63412411 (34124)	Handle nut	\$.50
2	63409201 (3492)	Rotor nut	.50	10	63918011 (39180)	Main shaft	.75	18	61102721 (1127)	Anti-reverse claw	.50
3	63300611 (3306)	Line stopper	.50	11	64003211 (4032a)	Pinion	.50	19	64118521 (41185)	Drive gear	.90
4	60069031 (A00690)	Rotor	1.50	12	61412521 (14125)	Main shaft spring	.50	20	62906111 (2961)	Push button	.60
5	63200351 (3203e)	Spool retainer	.50	13	61912111 (19121)	Body	3.25	21	65004301 (5043)	Push button sleeve	.50
6	63704512 (3745a-2)	Spool washer	.50	14	64701301 (4713)	Drag adjusting screw	.50	22	60080601 (A00806)	Body cover	.60
7	65120611 (51206)	Spool	1.50	15	64408301 (4483)	Drag adjusting dial	.60	23	63516811 (35168)	Body cover screw (long)	.50
8	61506321 (1563)	Drag adjusting plate	.50	16	60050801 (A00508)	Handle	.80	24	63511001 (35110)	Body cover screw (short)	.50

ALWAYS SPECIFY MODEL NO., PART NAME & PARTS NO. WHEN ORDERING PARTS  
PLEASE ENCLOSE CORRECT AMOUNT FOR PART'S PRICE WHEN ORDERING