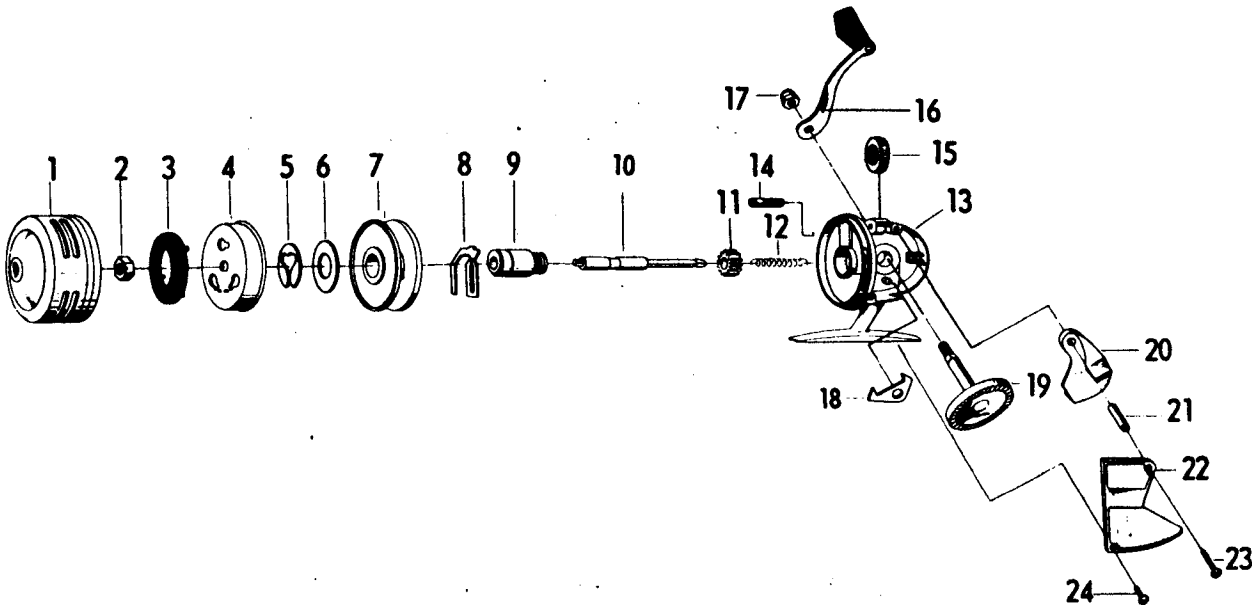




SPINCASTING REEL 9300c



SPOOL LINE CAPACITY: 80 YDS., 8 LB. TEST (75m Dia. 0.27mm)

Key No.	Parts No.	Parts Name
1	60050901	Front cover
2	63409201	Rotor nut
3	63300611	Line stopper
4	60069031	Rotor
5	63200351	Spool retainer
6	63704512	Spool washer
7	65120611	Spool
8	61506321	Drag adjusting plate
9	63810431	Shaft metal
10	63918011	Main shaft
11	64003211	Pinion
12	61412521	Main shaft spring

Key No.	Parts No.	Parts Name
13	61912111	Body
14	64701301	Drag adjusting screw
15	64408301	Drag adjusting dial
16	60050801	Handle
17	63412411	Handle nut
18	61102721	Anti-reverse claw
19	64118521	Drive gear
20	62906111	Push button
21	65004301	Push button sleeve
22	60080601	Body cover
23	63516811	Body cover screw (long)
24	63511001	Body cover screw (short)