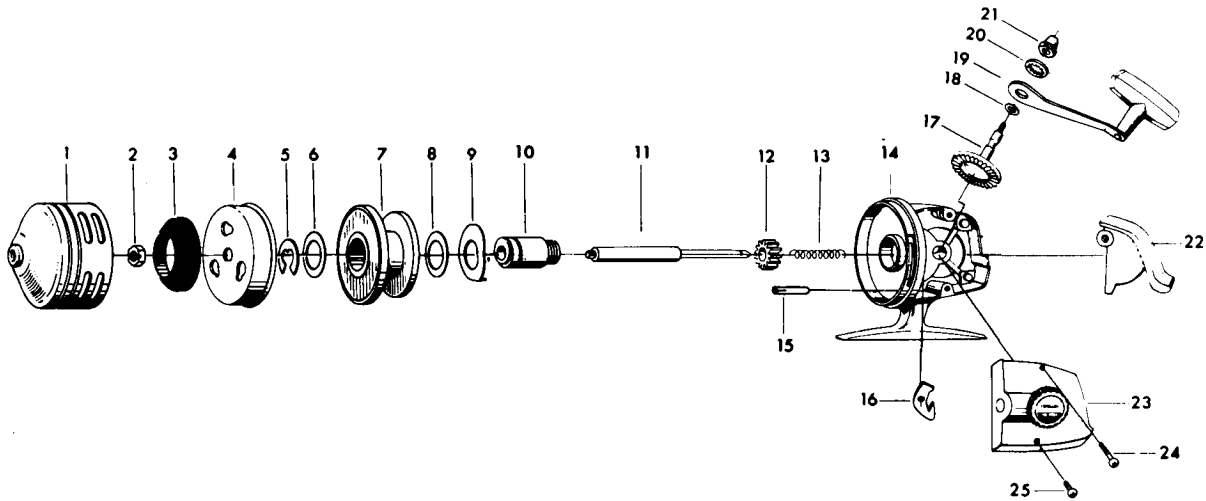




# DAIWA

## SPINCASTING REEL

## 9550A



**SPOOL LINE CAPACITY: 80 YDS., 8 LB. TEST**

Key No.	Parts No.	Parts Name	Price	Key No.	Parts No.	Parts Name	Price	Key No.	Parts No.	Parts Name	Price
1	60029911 (A00299)	Front cover	\$2.25	10	63803181 (3831c)	Shaft metal	\$1.25	18	63700350 (3703b)	Drive gear washer	\$ .50
2	63409211 (3492)	Rotor nut	.50	11	63904441 (3944b)	Main shaft	1.00	19	60030101 (A00301)	Handle	1.00
3	63300411 (3304)	Line stopper	.50	12	64003211 (4032a)	Pinion	.65	20	61601911 (1619)	Handle washer	.50
4	60056301 (A00563)	Rotor	1.75	13	61412521 (14125)	Main shaft spring	.50	21	63409611 (3496)	Handle nut	.50
5	63200351 (3203a)	Spool retainer	.50	14	60066801 (A00668)	Body	3.50	22	62905921 (2959)	Push button	.75
6	63704512 (3745a-2)	Spool washer	.50	15	64701411 (4714)	Drag screw	.50	23	60030201 (A00302)	Body cover	2.00
7	65106421 (5164)	Spool	1.75	16	61102721 (1127)	Anti-reverse claw	.50	24	63518601 (35186)	Body cover screw (long)	.50
8	63704512 (3745a-1)	Spool washer	.50	17	64110201 (41102)	Drive gear	.90	25	63516401 (35164)	Body cover screw (short)	.50
9	61507301 (1573)	Drag adjusting plate	.50								

ALWAYS SPECIFY MODEL NO., PART NAME & PARTS NO. WHEN ORDERING PARTS  
PLEASE ENCLOSE CORRECT AMOUNT FOR PART'S PRICE WHEN ORDERING