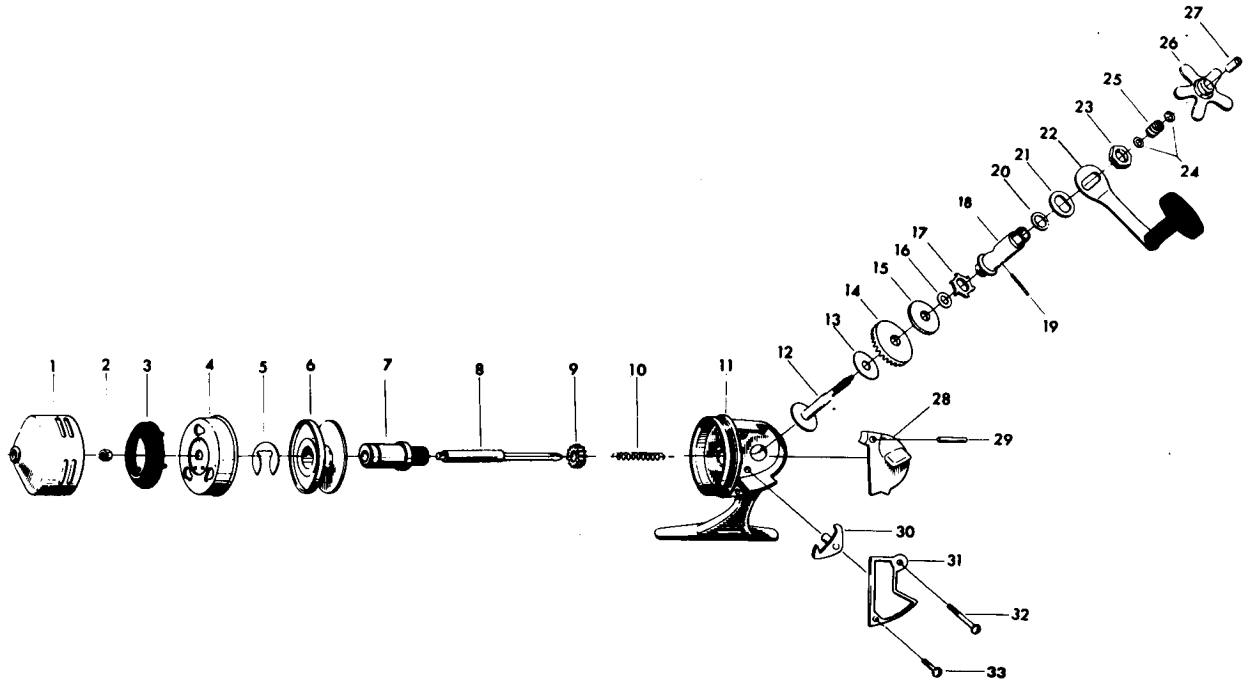
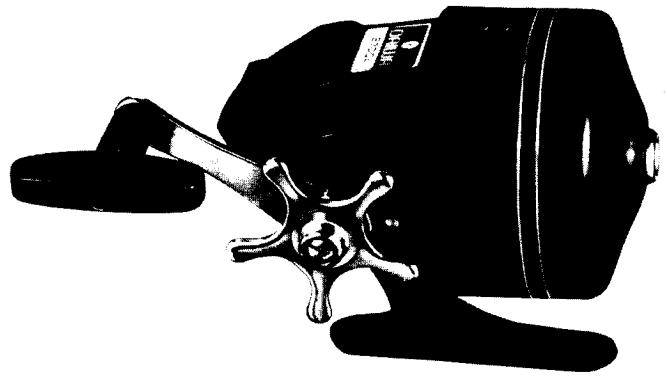




SPINCASTING REEL

9700A



SPOOL LINE CAPACITY: 100 YDS., 12 LB. TEST

| Key No. | Parts No. | Parts Name | Price | Key No. | Parts No. | Parts Name | Price | Key No. | Parts No. | Parts Name | Price |
|---------|-------------------|-------------------|--------|---------|-------------------|-------------------------|--------|---------|--------------------|--------------------------|-------|
| 1 | 60054201 (A00542) | Front cover | \$2.00 | 12 | 60005911 (A0059) | Drive gear shaft | \$1.25 | 23 | 63401301 (3413) | Handle nut | \$.50 |
| 2 | 63409211 (3492) | Rotor nut | .50 | 13 | 63702451 (3724d) | Drag washer A | .50 | 24 | 63702330 (3723-1b) | Star drag washer | .50 |
| 3 | 63300111 (3301a) | Line stopper | .50 | 14 | 64100911 (4109a) | Drive gear | .50 | 25 | 61401451 (1414e) | Star drag spring | .50 |
| 4 | 60056911 (A00569) | Rotor | 2.00 | 15 | 63702811 (3728a) | Drag washer B | .50 | 26 | 63401631 (A00631) | Star drag | 1.00 |
| 5 | 63200351 (3203e) | Spool retainer | .50 | 16 | 63700350 (3703b) | Drag washer C | .50 | 27 | 63401621 (3416b) | Star drag nut | .50 |
| 6 | 65101371 (5113e) | Spool | 2.00 | 17 | 62800801 (2808) | Anti reverse gear | .50 | 28 | 62903411 (2934) | Push button | .50 |
| 7 | 63801061 (3810c) | Shaft metal | 1.50 | 18 | 63809101 (3891) | Drive gear shaft holder | .90 | 29 | 65002501 (5025) | Push button sleeve | .50 |
| 8 | 63909941 (3999a) | Main shaft | 1.00 | 19 | 61200701 (1207) | Shaft holder pin | .50 | 30 | 60062901 (A00629) | Anti-reverse claw | .75 |
| 9 | 64000921 (4009a) | Pinion | .80 | 20 | 63702710 (3727a) | Drag washer D | .50 | 31 | 60611001 (06110) | Body cover | .50 |
| 10 | 61409521 (1495) | Main shaft spring | .50 | 21 | 63702521 (3725a) | Handle washer | .50 | 32 | 63514101 (35141) | Body cover screw (long) | .50 |
| 11 | 60076901 (A00769) | Body | 4.00 | 22 | 60068401 (A00684) | Handle | 1.25 | 33 | 63511001 (35110) | Body cover screw (short) | .50 |

ALWAYS SPECIFY MODEL NO., PART NAME & PARTS NO. WHEN ORDERING PARTS
PLEASE ENCLOSE CORRECT AMOUNT FOR PART'S PRICE WHEN ORDERING