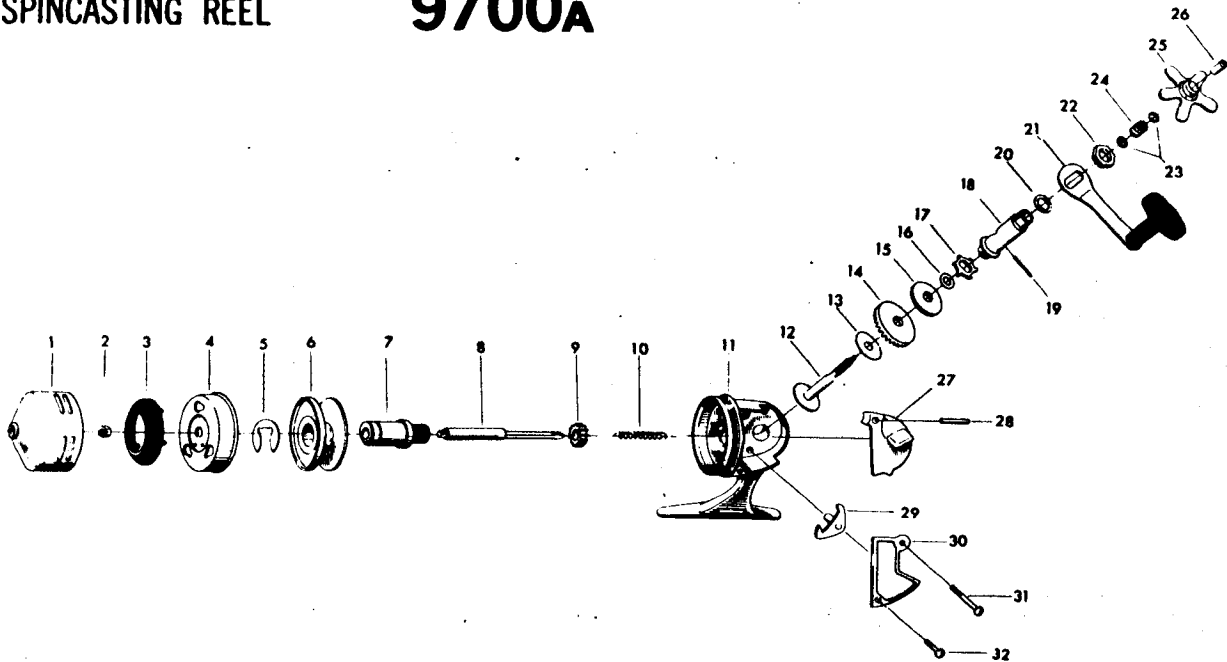




SPINCASTING REEL

9700A



SPOOL LINE CAPACITY: 100 YDS., 12 LB. TEST (65m Dia. 0.40mm)

Key No.	Parts No.	Parts Name
1	60054201	Front cover
2	63409211	Rotor nut
3	63300111	Line stopper
4	60056911	Rotor
5	63200351	Spool retainer
6	65101371	Spool
7	63801061	Shaft metal
8	63909941	Main shaft
9	64000921	Pinion
10	61409521	Main shaft spring
11	60076901	Body
12	60005911	Drive gear shaft
13	63702451	Drag washer A
14	64100911	Drive gear
15	63702811	Drag washer B
16	63700350	Drag washer C

Key No.	Parts No.	Parts Name
17	62800801	Anti-reverse gear
18	63809101	Drive gear shaft holder
19	61200701	Shaft holder pin
20	63702710	Drag washer D
21	60068401	Handle
22	63401301	Handle nut
23	63702330	Star drag washer
24	61401451	Star drag spring
25	60063101	Star drag
26	63401621	Star drag nut
27	62903411	Push button
28	65002501	Push button sleeve
29	60062901	Anti-reverse claw
30	60611001	Body cover
31	63514101	Body cover screw (long)
32	63511001	Body cover screw (short)