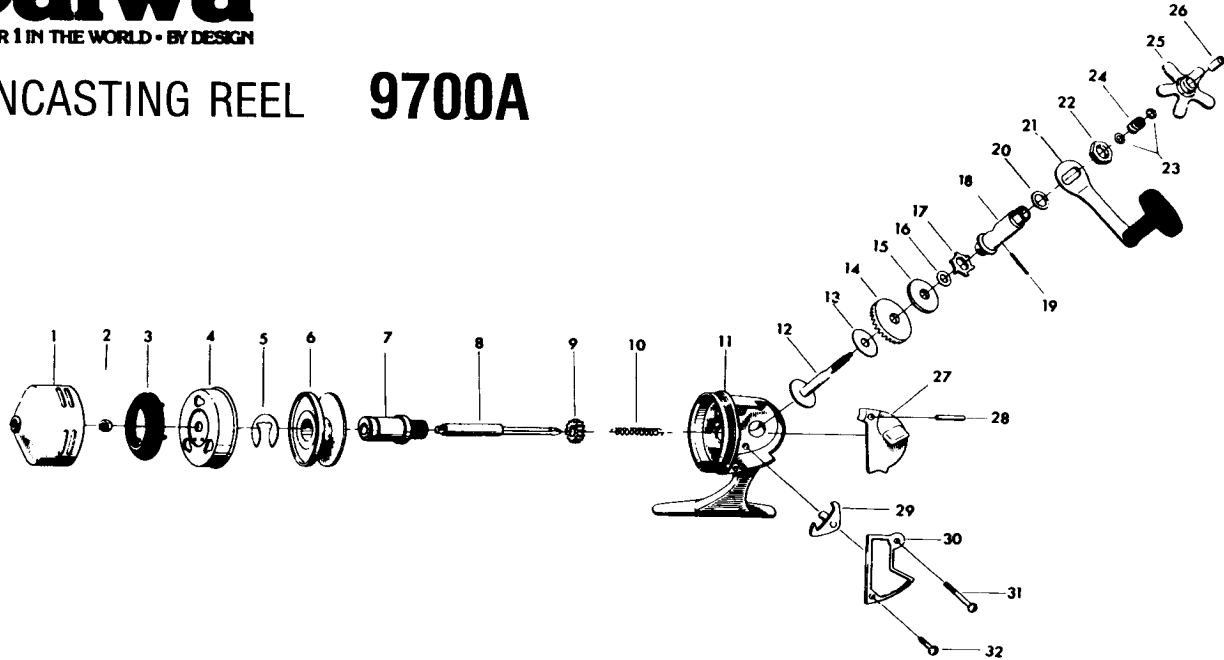


SPINCASTING REEL 9700A



SPOOL LINE CAPACITY: 100 YDS., 12 LB. TEST (90m. 5.5kg)

Key No.	Parts No.	Parts Name	Price Per Piece	Key No.	Parts No.	Parts Name	Price Per Piece
1	6-005-4201	Front cover	\$2.70	17	6-280-0801	Anti-reverse gear	\$.25
2	6-340-9211	Rotor nut	.20	18	6-380-9101	Drive gear shaft holder	1.20
3	6-330-0111	Line stopper	.25	19	6-120-0701	Shaft holder pin	.15
4	6-005-6911	Rotor	2.45	20	6-370-2710	Drag washer D	.10
5	6-320-0351	Spool retainer	.15	21	6-006-8401	Handle	1.40
6	6-510-1371	Spool	2.00	22	6-340-1301	Handle nut	.30
7	6-380-1061	Shaft metal	1.80	23	6-370-2330	Star drag washer	.10
8	6-390-9941	Main shaft	1.10	24	6-140-1451	Star drag spring	.45
9	6-400-0921	Pinion	.75	25	6-006-3101	Star drag	1.20
10	6-140-9521	Main shaft spring	.10	26	6-340-1621	Star drag nut	.25
11	6-007-6901	Body	6.40	27	6-290-3411	Push button	.95
12	6-000-5911	Drive gear shaft	1.75	28	6-500-2501	Push button sleeve	.30
13	6-370-2451	Drag washer A	.10	29	6-006-2901	Anti-reverse claw	.45
14	6-410-0911	Drive gear	.50	30	6-061-1001	Body cover	.95
15	6-370-2811	Drag washer B	.10	31	6-351-4101	Body cover screw (long)	.10
16	6-370-0350	Drag washer C	.10	32	6-351-1001	Body cover screw (short)	.10