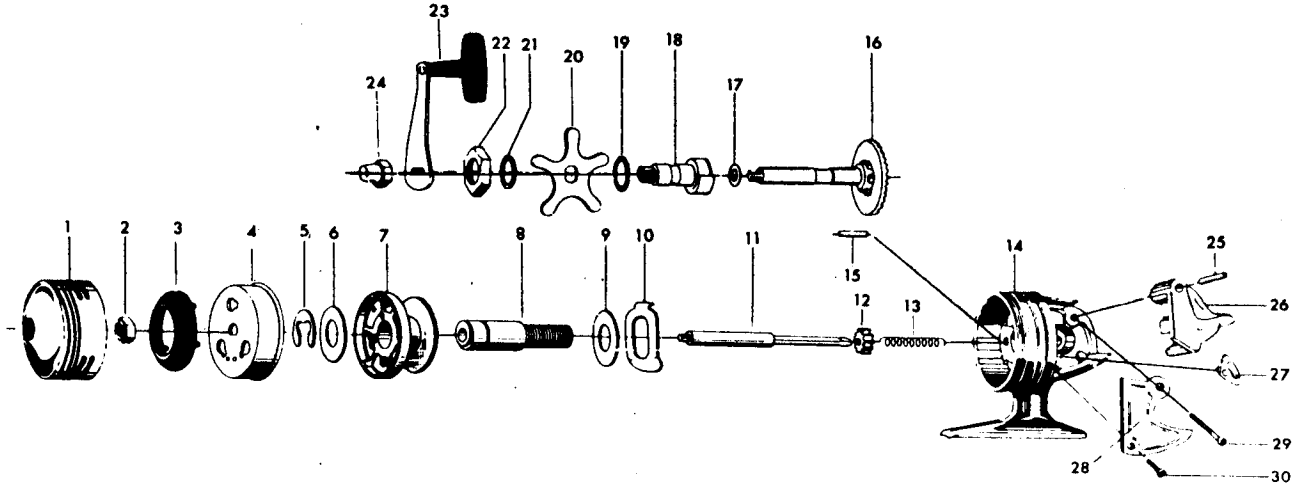




SPINCASTING REEL

9850A



SPOOL LINE CAPACITY: 120 YDS., 15 LB. TEST (80m Dia. 0.40mm)

Key No.	Parts No.	Parts Name	Key No.	Parts No.	Parts Name
1	60058501	Front cover	16	64114311	Drive gear
2	63409211	Rotor nut	17	63700350	Drive gear washer
3	63300111	Line stopper	18	64603701	Anti reverse cam
4	60058201	Rotor	19	63716420	Star drag washer
5	63200351	Spool retainer	20	65501311	Star drag
6	63721413	Spool washer	21	63712820	Star drag washer
7	65113341	Spool	22	63409501	Star drag nut
8	63807741	Shaft metal	23	60058401	Handle
9	63721411	Spool washer	24	63409701	Handle nut
10	61504931	Drag adjusting plate	25	65002501	Push button sleeve
11	63910721	Main shaft	26	62904421	Push button
12	64000921	Pinion	27	60057701	Anti-reverse claw
13	61412621	Main shaft spring	28	60608911	Body cover
14	60066011	Body	29	63514101	Body cover screw (long)
15	61205221	Drag pin	30	63511001	Body cover screw (short)

Darwa

Page
110

Date
12-75

Rev. No.
00