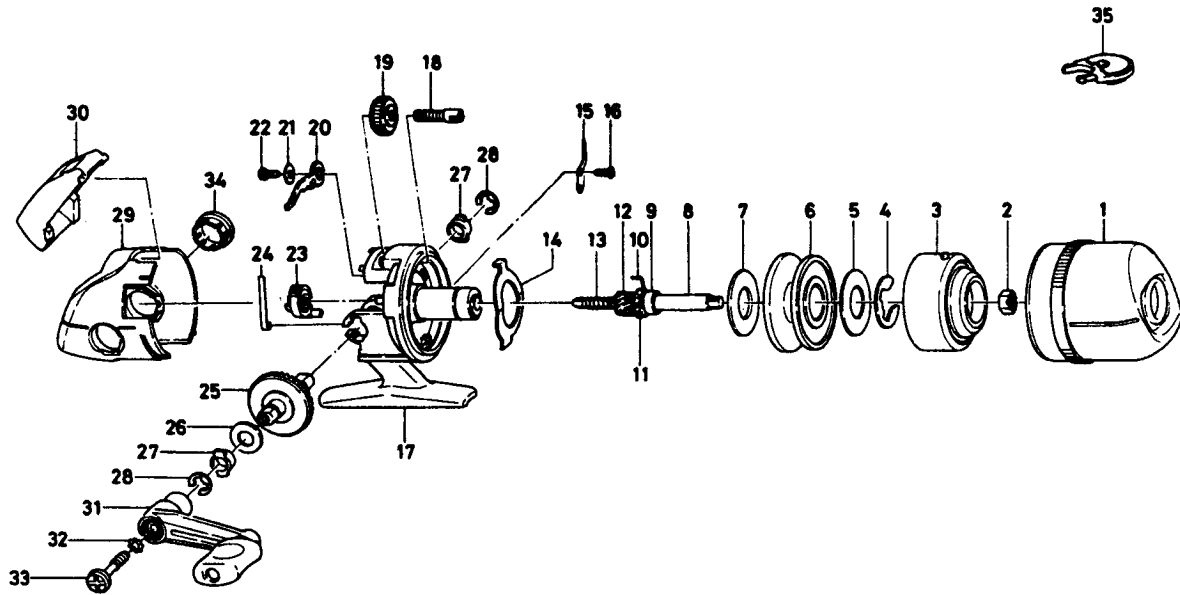


SPINCASTING REEL G100



| Key No. | Parts No. | Parts Name |
|---------|-----------|--------------------------|
| 1 | K00-4301 | Front cover |
| 2 | B55-4001 | Rotor nut |
| 3 | K00-4002 | Rotor |
| 4 | 320-0351 | Spool retainer |
| 5 | 370-0412 | Drag washer |
| 6 | B61-0303 | Spool |
| 7 | 370-0412 | Drag washer |
| 8 | K00-2501 | Main shaft |
| 9 | K00-2601 | Ball bearing |
| 10 | K00-2701 | Anti-reverse pawl spring |
| 11 | K00-2801 | Anti-reverse ratchet |
| 12 | 402-6401 | Pinion gear |
| 13 | 142-7712 | Main shaft spring |
| 14 | 151-6501 | Drag plate |
| 15 | 030-6001 | Click pawl |
| 16 | B93-3001 | Click pawl screw |
| 17 | K00-3901 | Body |
| 18 | 363-5911 | Drag screw |

| Key No. | Parts No. | Parts Name |
|---------|-----------|---------------------------|
| 19 | B60-9202 | Dial |
| 20 | K00-0901 | Anti-reverse pawl |
| 21 | K00-1001 | Anti-reverse pawl washer |
| 22 | B93-3001 | Anti-reverse pawl screw |
| 23 | K00-1101 | Anti-reverse-lever |
| 24 | K00-1201 | Anti-reverse-lever spring |
| 25 | K00-2901 | Drive gear |
| 26 | 370-9900 | Drive gear washer |
| 27 | K00-7001 | Bushing |
| 28 | B01-3101 | Bushing retainer |
| 29 | K00-3801 | Side cover |
| 30 | K00-0201 | Push button |
| 31 | K00-1301 | Handle assembly |
| 32 | 160-8101 | Handle lock washer |
| 33 | K00-5901 | Handle lock screw |
| 34 | K00-0701 | Handle screw cap |
| 35 | K00-2201 | Line snubber |