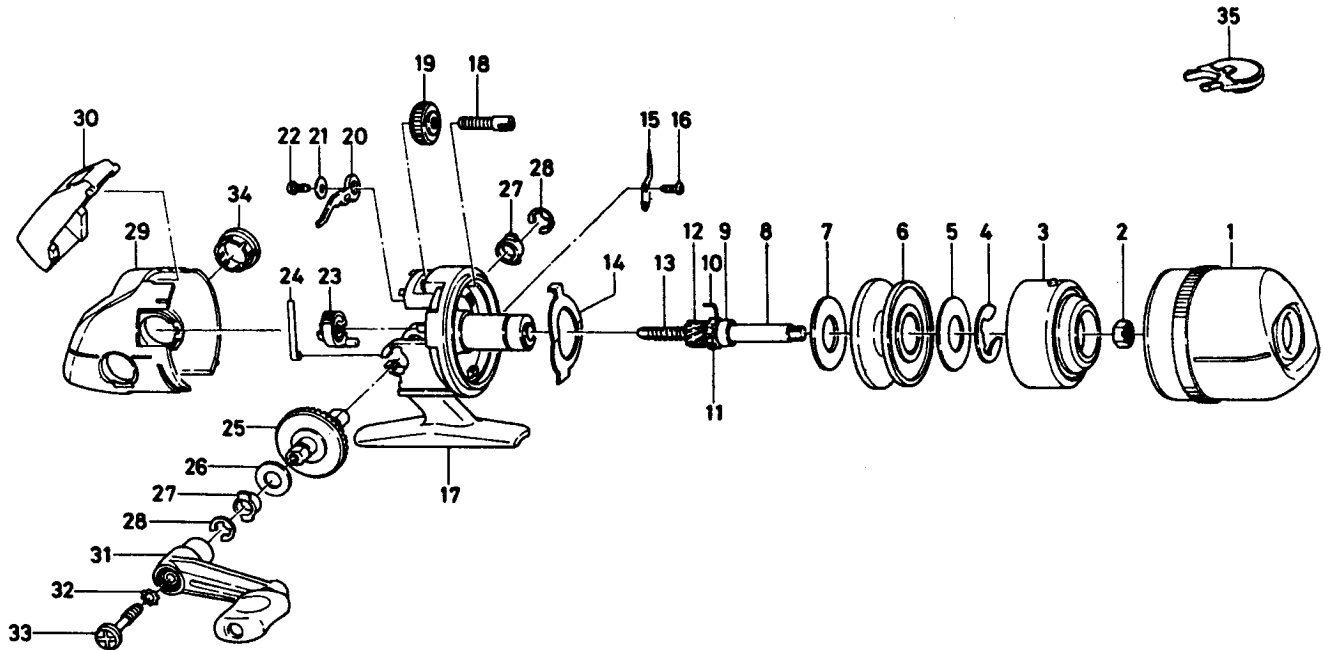


# SPINCASTING REEL G80



| Key No. | Parts No. | Parts Name               |
|---------|-----------|--------------------------|
| 1       | K00-1901  | Front cover              |
| 2       | B55-4001  | Rotor nut                |
| 3       | K00-1701  | Rotor                    |
| 4       | 320-0351  | Spool retainer           |
| 5       | 370-0412  | Drag washer              |
| 6       | 361-2003  | Spool                    |
| 7       | 370-0412  | Drag washer              |
| 8       | K00-2501  | Main shaft               |
| 9       | K00-2601  | Ball bearing             |
| 10      | K00-2701  | Anti-reverse pawl spring |
| 11      | K00-2801  | Anti-reverse ratchet     |
| 12      | 402-6401  | Pinion gear              |
| 13      | 142-7712  | Main shaft spring        |
| 14      | 151-6501  | Drag plate               |
| 15      | 030-6001  | Click pawl               |
| 16      | B93-3001  | Click pawl screw         |
| 17      | K00-0801  | Body                     |
| 18      | 363-5911  | Drag screw               |

| Key No. | Parts No. | Parts Name                |
|---------|-----------|---------------------------|
| 19      | B60-9202  | Dial                      |
| 20      | K00-0901  | Anti-reverse pawl         |
| 21      | K00-1001  | Anti-reverse pawl washer  |
| 22      | B93-3001  | Anti-reverse pawl screw   |
| 23      | K00-1101  | Anti-reverse-lever        |
| 24      | K00-1201  | Anti-reverse-lever spring |
| 25      | K00-2901  | Drive gear                |
| 26      | 370-9900  | Drive gear washer         |
| 27      | K00-7001  | Bushing                   |
| 28      | B01-3101  | Bushing retainer          |
| 29      | K00-0101  | Side cover                |
| 30      | K00-0201  | Push button               |
| 31      | K00-1301  | Handle assembly           |
| 32      | 160-8101  | Handle lock washer        |
| 33      | K00-5901  | Handle lock screw         |
| 34      | K00-0601  | Handle screw cap          |
| 35      | K00-2201  | Line snubber              |