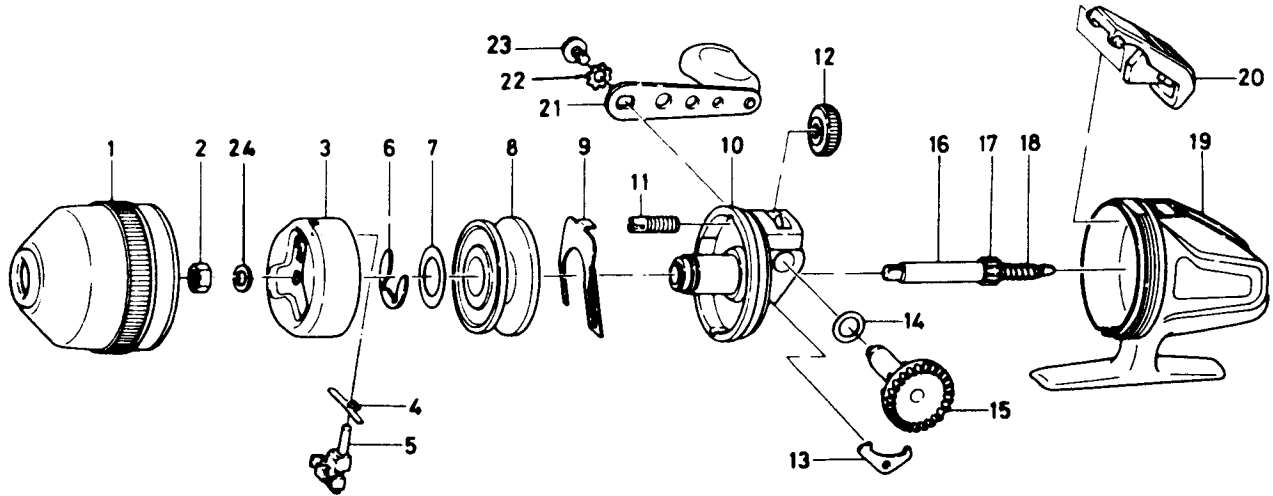


SPINCASTING REEL — J80



Key No. 16-18
B08-6502 Main shaft assembly 3.25

| Key No. | Part No. | Part Name | Price |
|---------|----------|----------------------|-------|
| 1 | B76-7104 | Front cover | 3.50 |
| 2 | E42-5101 | Rotor nut | .65 |
| 3 | B60-9501 | Rotor | 3.05 |
| 4 | B71-6101 | Pick-up pin spring | .45 |
| 5 | B08-8203 | Pick-up pin | .95 |
| 6 | 320-0351 | Spool retainer | .40 |
| 7 | 370-4512 | Spool washer | .50 |
| 8 | B61-2004 | Spool | 3.00 |
| 9 | 150-6321 | Drag adjusting plate | .75 |
| 10 | E40-3701 | Set plate | 1.25 |
| 11 | 370-1302 | Drag screw | .40 |
| 12 | B60-9201 | Dial | .50 |

| Key No. | Part No. | Part Name | Price |
|---------|----------|--------------------|-------|
| 13 | 770-0501 | Anti-reverse pawl | .65 |
| 14 | 373-7800 | Drive gear washer | .40 |
| 15 | B08-6301 | Drive gear | 1.85 |
| 16 | B08-6601 | Main shaft | .95 |
| 17 | B08-6701 | Pinion gear | 1.20 |
| 18 | 141-2522 | Main shaft spring | .55 |
| 19 | E42-1301 | Body | 1.10 |
| 20 | B60-8901 | Push button | .70 |
| 21 | B63-6301 | Handle assembly | 2.10 |
| 22 | 160-8001 | Handle lock washer | .50 |
| 23 | E40-3301 | Handle lock screw | .50 |
| 24 | E42-5201 | Spacer | .35 |