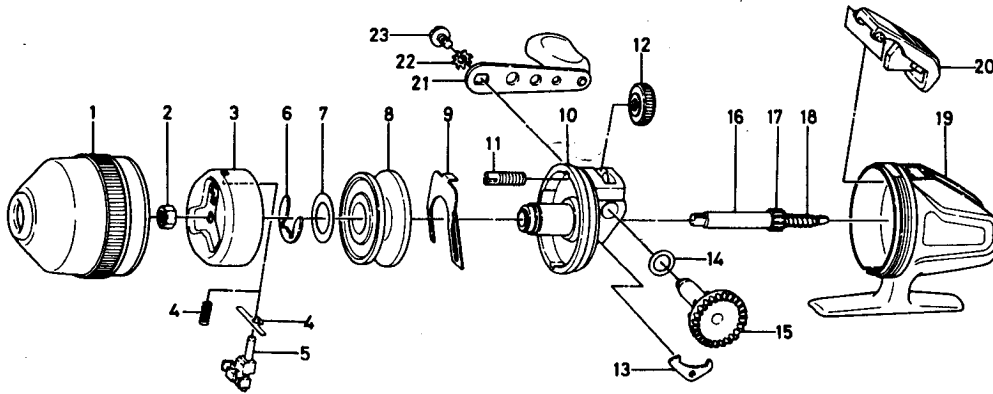


SPINCASTING REEL M120



Key No.	Parts No.	Parts Name	Key No.	Parts No.	Parts Name
1	B81-1601	Front cover	13	770-0501	Anti-reverse claw
2	B55-4001	Rotor nut	14	373-0100	Drive gear washer
3	B81-1301	Rotor	15	B08-6301	Drive gear
4	142-5111	Pick up pin spring	16	B08-6601	Main shaft
5	B08-8205	Pick up pin	17	B08-6701	Pinion gear
6	320-0351	Spool retainer	18	141-2521	Main shaft spring
7	370-4512	Spool washer	19	B81-0601	Body
8	B81-1102	Spool	20	B80-3801	Push button
9	B61-0501	Drag adjusting plate	21	B81-1401	Handle
10	B81-1001	Set plate	22	160-8001	Handle washer
11	470-1302	Drag adjusting screw	23	B08-7301	Handle screw
12	B60-9201	Drag adjusting dial			

Sold as one unit
B08-6501
 Main shaft assembly