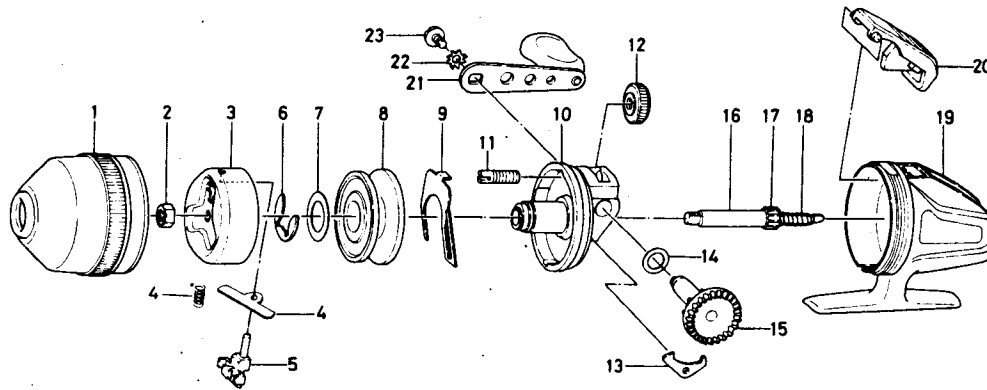


# SPIN CASTING REEL M80/M100



Key No.	Parts No.	Parts Name	Key No.	Parts No.	Parts Name
1	B60-9701	Front cover	19	B60-8301	Body
2	B55-4001	Rotor nut	20	B60-8901	Push button
3	B60-9501	Rotor	21	B08-7101	Handle
4	B71-6101	Pick up pin spring	22	160-8001	Handle washer
5	B08-8203	Pick up pin	23	B08-7301	Handle screw
6	320-0351	Spool retainer			
7	370-4512	Spool washer			
8	B61-2001	Spool			
9	150-6321	Drag adjusting plate			
10	B60-9101	Set plate			
11	470-1302	Drag adjusting screw			
12	B60-9201	Drag adjusting dial			
13	770-0501	Anti-reverse claw			
14	373-7800	Drive gear washer			
15	B08-6301	Drive gear			
16	B08-6601	Main shaft			
17	B08-6701	Pinion gear			
18	141-2521	Main shaft spring			
		Sold as one unit 6-B08-6501 Main shaft assembly			
			<b>M100 Special Parts</b>		
			1	B60-9901	Front cover
			3	B61-0201	Rotor
			5	B08-8204	Pick up pin
			8	B61-0301	Spool
			9	B61-0501	Drag adjusting plate
			10	B61-0601	Set plate
			19	B61-1101	Body
			20	B61-0701	Push button
			4	144-1801	Pick up pin spring