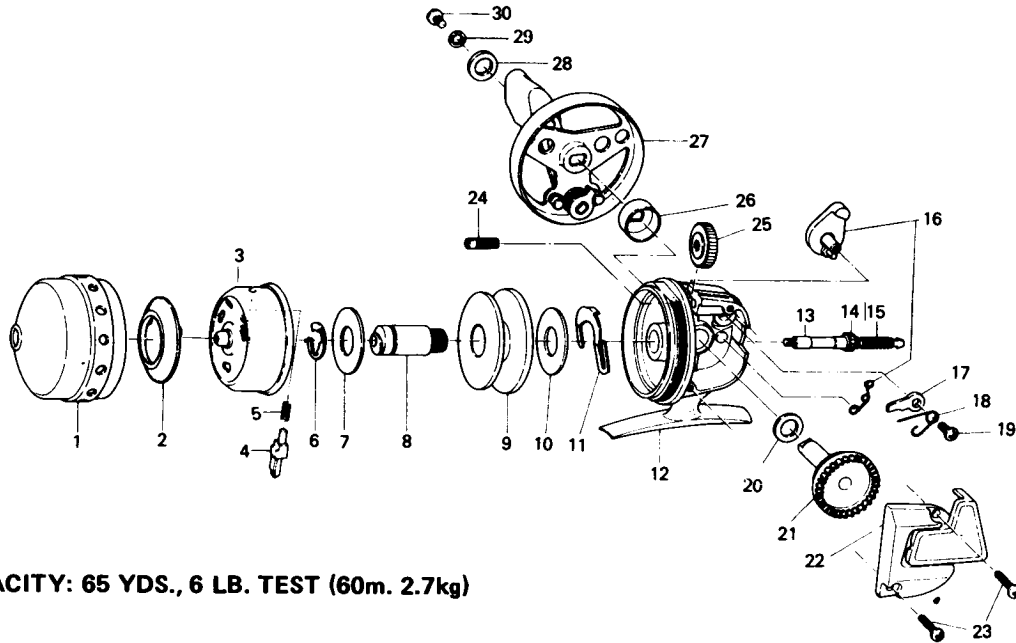


SPINCASTING REEL

Minicast-Gold



LINE CAPACITY: 65 YDS., 6 LB. TEST (60m. 2.7kg)

Key No. 2 ~ 5

6-735-4711 Rotor assembly \$4.05

Key No. 13 ~ 15

6-710-9201 Main shaft assembly 1.50

Key No.	Parts No.	Parts Name	Price Per Piece	Key No.	Parts No.	Parts Name	Price Per Piece
1	6-755-0703	Front cover	\$2.70	16	6-781-1721	Anti-reverse lever	\$1.30
2	6-330-3901	Line stopper	.35	17	6-111-3911	Anti-reverse claw	.15
3	6-520-6701	Rotor	N/A	18	6-144-0511	Anti-reverse claw spring	.10
4	6-180-3711	Pick up pin	.10	19	6-351-1801	Anti-reverse claw screw	.10
5	6-151-4701	Pick up pin spring	.10	20	6-373-0100	Drive gear washer	.10
6	6-320-3601	Spool retainer	.10	21	6-413-1511	Drive gear	.55
7	6-373-4412	Spool washer	.10	22	6-705-8905	Body cover	2.60
8	6-381-4711	Shaft metal	.70	23	6-351-1101	Body cover screw	.10
9	6-731-6121	Spool	2.00	24	6-353-2521	Drag adjusting screw	.20
10	6-373-4412	Spool washer	.10	25	6-342-1211	Drag adjusting dial	.50
11	6-151-4821	Drag adjusting plate	.40	26	6-636-0401	Handle cap	.55
12	6-700-6321	Body	4.75	27	6-746-0621	Handle	2.25
13	6-393-0701	Main shaft	N/A	28	6-375-2501	Handle washer A	.15
14	6-402-3301	Pinion gear	.70	29	6-162-3402	Handle washer B	.10
15	6-144-0701	Main shaft spring	.10	30	6-352-1102	Handle screw	.10