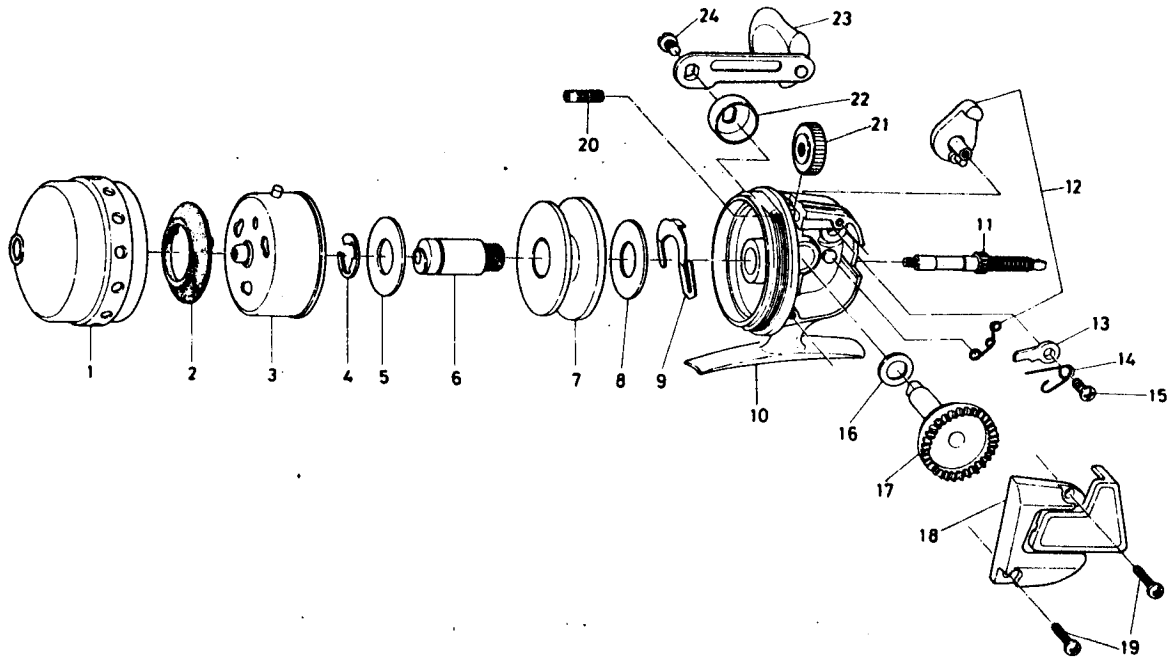


SPINCASTING REEL MINICAST-1



LINE CAPACITY: 65 YDS., 6 LB (60m Dia. 0.23mm)

Key No.	Parts No.	Parts Name
1	67550701	Front cover
2	63303901	Line stopper
3	67354701	Rotor
4	63203601	Spool retainer
5	63734412	Spool washer
6	63814701	Shaft metal
7	67316101	Spool
8	63734412	Spool washer
9	61514811	Drag adjusting plate
10	67006301	Body
11	67109201	Main shaft
12	67811711	Anti-reverse lever

Key No.	Parts No.	Parts Name
13	61113911	Anti-reverse claw
14	61440501	Anti-reverse claw spring
15	63511801	Anti-reverse claw screw
16	63730100	Drive gear washer
17	64131501	Drive gear
18	67058903	Body cover
19	63511101	Body cover screw
20	63532501	Drag adjusting screw
21	63421201	Drag adjusting dial
22	66360401	Handle cover
23	67460101	Handle
24	63521101	Handle screw