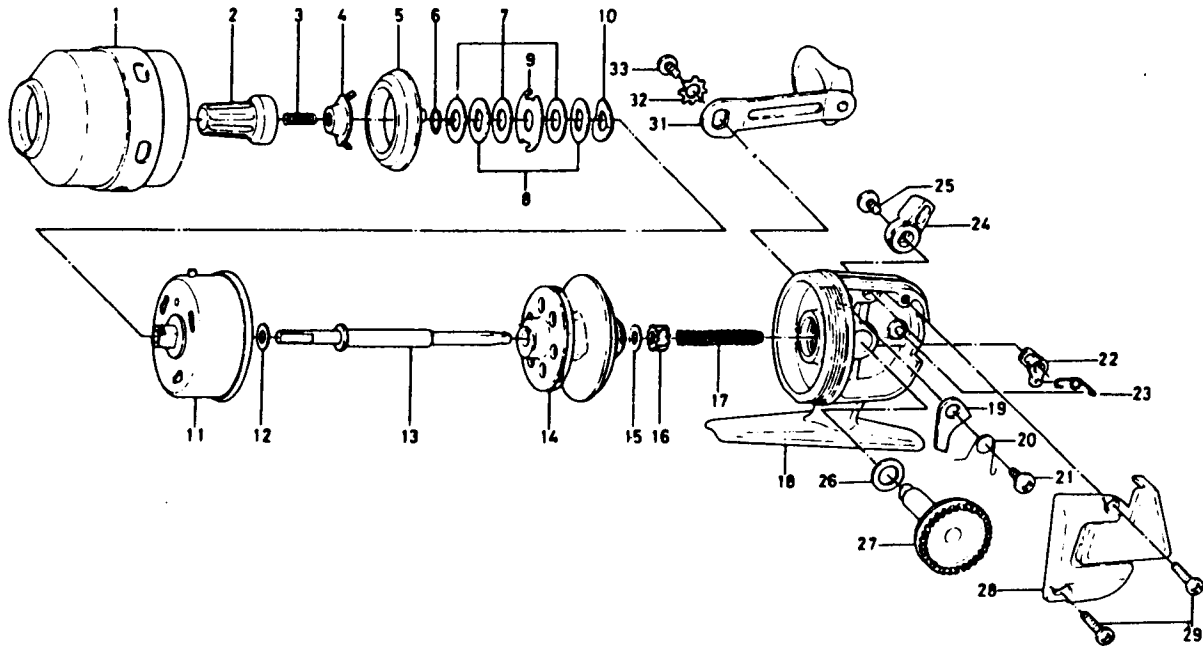


SPINCASTING REEL – MINICAST-2-G



Key			
No.	Part No.	Part Name	Price
1	K06-6101	Front cover	4.50
2	441-6002	Drag knob	1.60
3	145-1501	Drag spring	.35
4	376-1312	Drag adjusting plate	1.10
5	330-4601	Line stopper	.65
6	171-7801	Drag washer retainer	.35
7	376-1101	Drag washer A	.70
8	376-1001	Drag washer B	.45
9	376-1201	Drag washer C	.55
10	150-6801	Drag washer D	.50
11	736-7303	Rotor	4.00
12	376-0901	Rotor washer	.55
13	711-4911	Main shaft	1.10
14	800-1443	Spool	3.75
15	373-4501	Pinion washer	.35
16	402-3301	Pinion gear	1.20

Key			
No.	Part No.	Part Name	Price
17	144-0701	Main shaft spring	.55
18	193-3806	Body	3.50
19	111-8501	Anti-reverse claw	.60
20	144-5111	Anti-reverse claw spring	.60
21	350-1933	Anti-reverse claw screw	.50
22	467-7601	Anti-reverse cam	.90
23	B09-1401	Anti-reverse cam spring	.55
24	541-3132	Anti-reverse lever	.75
25	351-4702	Anti-reverse lever screw	.50
26	373-0100	Drive gear washer	.35
27	413-1512	Drive gear	1.35
28	707-0101	Body cover	3.45
29	351-1102	Body cover screw	.45
31	747-7202	Handle	2.30
32	160-8001	Handle washer	.50
33	352-1102	Handle screw	.60