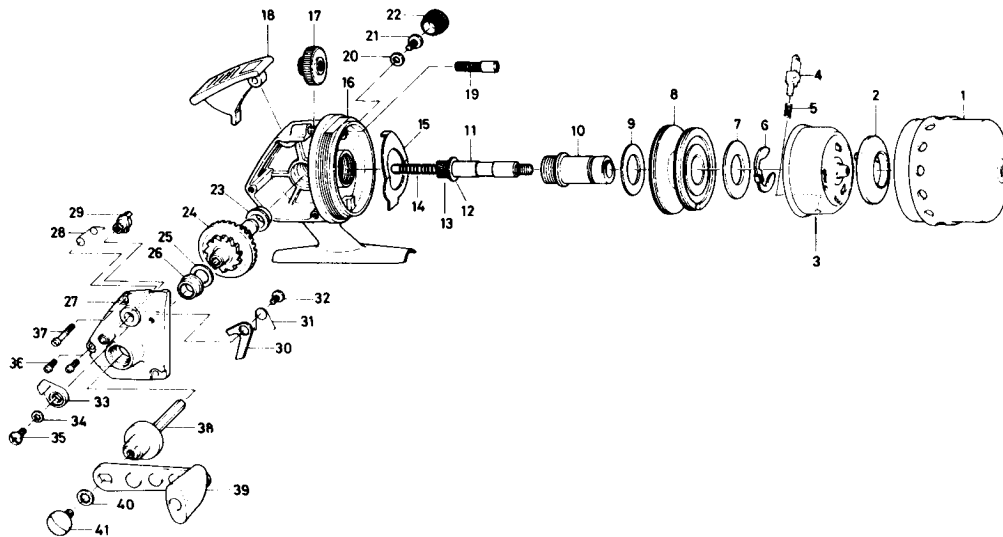


# SPINCASTING REEL **Silvercast 208RL**



**LINE CAPACITY: 75 YDS., 8 LB. TEST (65m. 3.6kg)**

Key No. 2 ~ 5

6-736-5601 Rotor assembly \$3.90

Key No. 11 ~ 14

6-711-1721 Main shaft assembly 1.75

Key No.	Parts No.	Parts Name	Price Per Piece	Key No.	Parts No.	Parts Name	Price Per Piece
1	6-755-0802	Front cover	\$4.05	22	6-363-6001	Handle screw cap	\$ .55
2	6-330-4401	Line stopper	N/A	23	6-636-4101	Drive gear shaft holder	.40
3	6-736-5701	Rotor	N/A	24	6-413-5201	Drive gear	.80
4	6-180-3801	Pick up pin	.50	25	6-370-5150	Drive gear washer	.10
5	6-142-4501	Pick up pin spring	.10	26	6-636-4101	Drive gear shaft holder	.40
6	6-320-9101	Spool retainer	.40	27	6-706-3901	Body cover	1.80
7	6-370-0412	Spool washer	.10	28	6-144-5001	Anti-reverse cam spring	.15
8	6-732-1632	Spool	2.40	29	6-461-4501	Anti-reverse cam	.25
9	6-370-0412	Spool washer	.10	30	6-111-5601	Anti-reverse claw	.15
10	6-381-7601	Shaft metal	1.20	31	6-144-5111	Anti-reverse claw spring	.15
11	6-393-3911	Main shaft	N/A	32	6-350-1931	Anti-reverse claw screw	.10
12	6-370-0226	Pinion washer	.10	33	6-541-4511	Anti-reverse lever	.40
13	6-402-6401	Pinion gear	.75	34	6-160-3111	Anti-reverse lever washer	.10
14	6-142-7711	Main shaft spring	.10	35	6-350-1931	Anti-reverse lever screw	.10
15	6-151-6501	Drag adjusting plate	.40	36	6-351-1101	Body cover screw (short)	.10
16	6-700-8611	Body	4.75	37	6-353-4911	Body cover screw (long)	.10
17	6-636-5601	Drag adjusting dial	.70	38	6-071-0501	Drive gear shaft	1.35
18	6-781-6302	Push button	.95	39	6-746-5201	Handle	2.05
19	6-363-5911	Drag adjusting screw	.20	40	6-160-3402	Handle washer B	.10
20	6-372-4601	Handle washer A	.10	41	6-363-5301	Handle screw B	.40
21	6-362-1001	Handle screw A	.25				