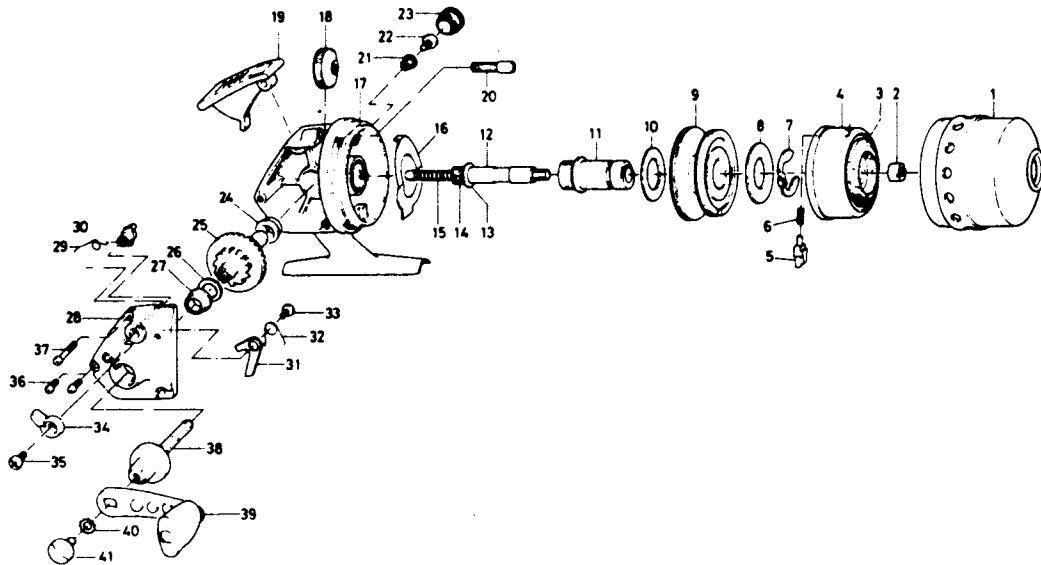


# SPINCASTING REEL TL208G



Key No. 3 ~ 6

B46-4101 Rotor assembly

Key No. 12 ~ 15

711-1723 Main shaft assembly

Key No.	Parts No.	Parts Name	Key No.	Parts Name
1	B55-9102	Front cover	22	363-8511 Handle screw A
2	342-4901	Rotor nut	23	363-6001 Handle screw cap
3	330-4411	Line stopper	24	636-4101 Drive gear shaft holder
4	K03-8601	Rotor	25	413-5201 Drive gear
5	K06-5601	Pick-up pin	26	370-5150 Drive gear washer
6	142-4501	Pick-up pin spring	27	636-4101 Drive gear shaft holder
7	320-0351	Spool retainer	28	062-9907 Body cover
8	370-0412	Spool washer	29	B09-1401 Anti-reverse cam spring
9	732-1632	Spool	30	461-4501 Anti-reverse cam
10	370-0412	Spool washer	31	111-7011 Anti-reverse claw
11	381-7611	Shaft metal	32	144-5111 Anti-reverse claw spring
12	393-9101	Main shaft	33	351-7703 Anti-reverse claw screw
13	370-0226	Pinion washer	34	541-3132 Anti-reverse lever
14	402-6401	Pinion gear	35	351-4701 Anti-reverse lever screw
15	142-7711	Main shaft spring	36	351-1101 Body cover screw (short)
16	151-6501	Drag adjusting plate	37	B08-2201 Body cover screw (long)
17	700-8625	Body	38	071-0503 Drive gear shaft
18	B07-9301	Drag adjusting dial	39	746-5202 Handle
19	B08-1817	Push button	40	160-8001 Handle washer
20	363-5911	Drag adjusting screw	41	352-1101 Handle screw B
21	501-8501	Handle screw holder		