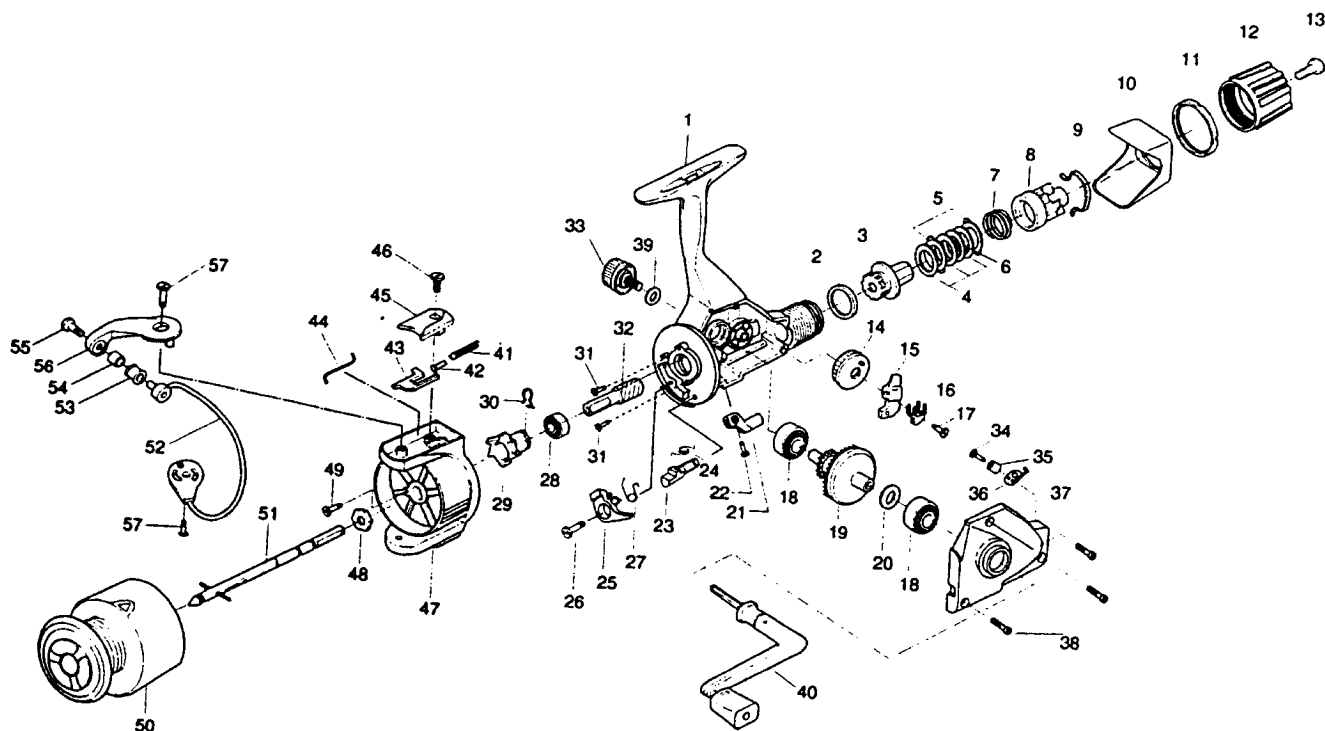


JUPITER-S2550



Key No.	Parts No.	Parts Name
1	W00-6503	BODY
2	W00-0201	DRAG WASHER
3	W00-0301	CLICK GEAR
4	W00-0401	KEY WASHER A
5	W00-0501	EARED WASHER
6	W00-0601	KEY WASHER B
7	W00-0701	DRAG COIL SPRING
8	W01-5201	DRAG COLLAR
9	W01-7201	DRAG WASHER SPRING
10	W00-6603	REAR COVER
11	W00-6702	REAR COVER SCREW
12	W00-6803	DRAG KNOB
13	W00-1302	DRAG KNOB SCREW
14	W00-6901	OSC GEAR
15	W00-7001	OSC SLIDER
16	W00-7101	OSC SLIDER RET
17	W00-1701	OSC SLIDER SCREW
18	W01-7101	BUSHING
19	W00-7201	DRIVE GEAR
20	W00-2001	DRIVE GEAR WASHER
21	W00-2102	A/R LEVER
22	W00-2202	A/R LEVER SCREW
23	W00-2301	A/R CAM
24	W00-2401	A/R CAM SPRING
25	W00-2501	A/R PAWL
26	W00-2601	A/R PAWL SCREW
27	W00-2701	A/R PAWL SPRING
28	W00-2801	BALL BEARING
29	W00-2901	A/R RATCHET

Key No.	Parts No.	Parts Name
30	W00-3001	SPRING HOLDER
31	W00-3101	BEARING RET SCREW
32	W00-7501	PINION GEAR
33	W00-3302	HANDLE LOCK SCREW
34	W00-3401	CLICK SPRING SCREW
35	W00-3501	COLLAR
36	W01-7001	CLICK SPRING
37	W00-7303	SIDE COVER
38	W00-3802	SIDE COVER SCREW
39	W00-3901	HANDLE COLLAR
40	W00-7403	HANDLE
41	W00-4101	BAIL SPRING
42	W00-4201	BAIL SPRING SHAFT
43	W00-4301	BAIL SPRING HOLDER
44	W01-5401	BAIL TRIP LEVER
45	W00-7703	BAIL SPRING COVER
46	W00-4602	BAIL SPRING COVER SCREW
47	W00-7603	ROTOR
48	W00-4801	ROTOR NUT
49	W01-5501	ROTOR NUT LOCK SCREW
50	W00-8102	SPOOL
51	W00-8001	MAIN SHAFT
52	W00-7803	BAIL
53	W00-5301	LINE ROLLER
54	W00-5401	LINE ROLLER COLLAR
55	W00-5502	LINE ROLLER SCREW
56	W00-7902	BAIL ARM
57	W00-5702	BAIL ARM SCREW