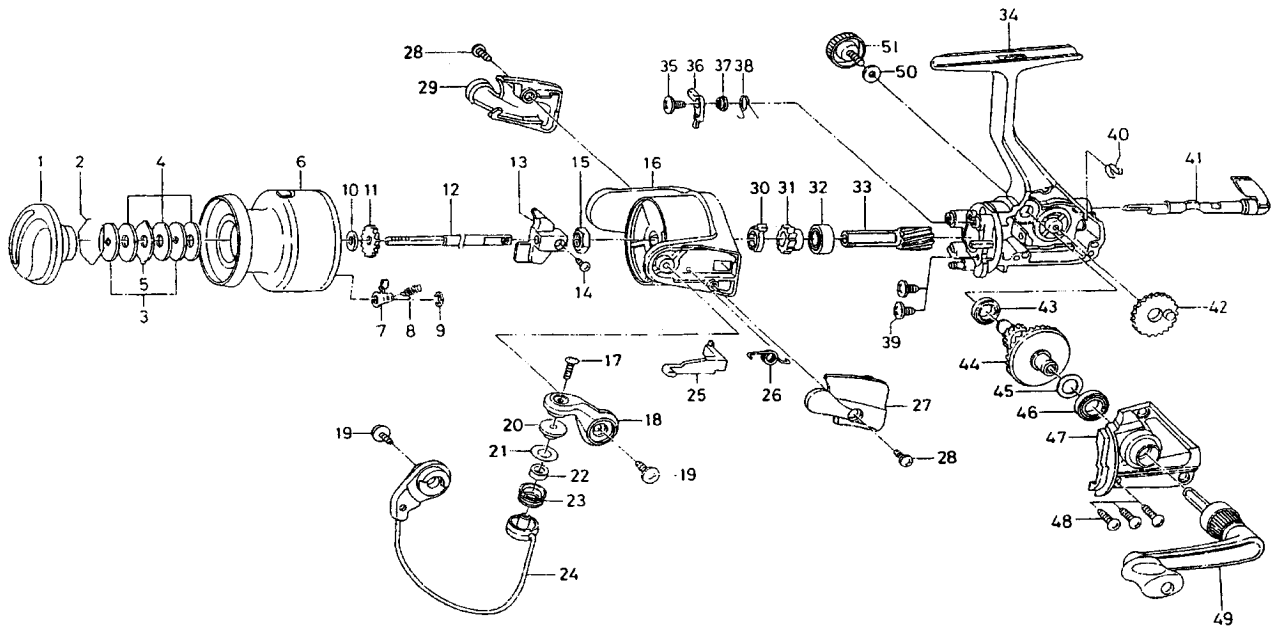


JUPITER-Z1500T-3B



Key No.	Parts No.	Parts Name	Key No.	Parts No.	Parts Name
2-9	F71-9001	SPOOL	27	F32-4213	BAIL SPRING COVER
1	F32-8501	DRAG KNOB	28	E24-8101	BAIL SPRING COVER SCREW
2	F37-3301	DRAG WASHER RET	29	F32-6310	BAIL TRIP COVER
3	E46-7201	KEY WASHER	30	F12-2101	SPRING HOLDER
4	E13-6001	DRAG WASHER	31	F32-7701	A/R RATCHET
5	373-3603	EARED WASHER	32	634-1301	BALL BEARING A
7	B07-5304	CLICK PAWL	33	F12-1601	PINION GEAR
8	E40-3101	CLICK SPRING	34	F71-7201	BODY
9	320-5901	CLICK RET	35	F12-5701	A/R PAWL SCREW
10	E46-7101	SPOOL WASHER	36	F12-1901	A/R PAWL
11	270-6501	CLICK GEAR	37	F12-3501	A/R PAWL COLLAR
12	F46-0801	MAIN SHAFT	38	F12-3401	A/R PAWL SPRING
13	F12-2301	OSC SLIDER	39	E03-7801	BEARING RET SCREW
14	351-0311	OSC SLIDER SCREW	40	F12-2001	A/R CAM SPRING
15	341-9201	ROTOR NUT	41	F08-5128	A/R LEVER
16	F32-0909	ROTOR	42	F12-2201	OSC GEAR
17	B67-9308	LINE ROLLER SCREW	43	E30-6801	BALL BEARING B
18	F46-1101	BAIL ARM	44	F12-1501	DRIVE GEAR
19	B84-2102	BAIL ARM SCREW	45	375-8501	DRIVE GEAR WASHER
20	F44-6302	LINE ROLLER COLLAR	46	634-1301	BALL BEARING C
21	F44-6202	LINE ROLLER WASHER	47	F71-7301	SIDE COVER
22	F47-3401	LINE ROLLER BUSHING	48	E15-8602	SIDE COVER SCREW
23	F45-4901	LINE ROLLER	49	F71-7401	HANDLE
24	F60-4302	BAIL	50	F02-0202	HANDLE LOCK SCREW WASHER
25	E49-6401	BAIL TRIP LEVER	51	F67-6502	HANDLE LOCK SCREW
26	E49-6801	BAIL SPRING			