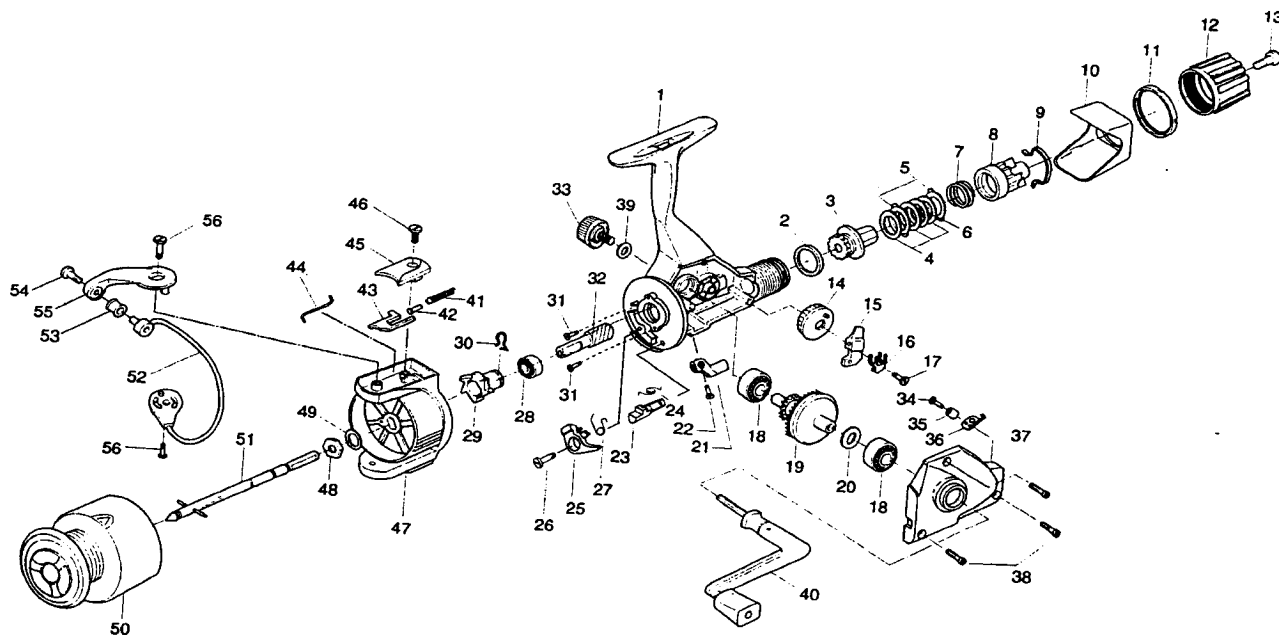


JUPITER-Z1550



Key No.	Parts No.	Parts Name	Key No.	Parts No.	Parts Name
1	W00-0101	BODY	30	W00-3001	SPRING HOLDER
2	W00-0201	DRAG WASHER	31	W00-3101	BEARING RET SCREW
3	W00-0301	CLICK GEAR	32	W00-3201	PINION GEAR
4	W00-0401	KEY WASHER A	33	W00-3301	HANDLE LOCK SCREW
5	W00-0501	EARED WASHER	34	W00-3401	CLICK SPRING SCREW
6	W00-0601	KEY WASHER B	35	W00-3501	COLLAR
7	W00-0701	DRAG COIL SPRING	36	W00-3601	CLICK SPRING
8	W00-0801	DRAG COLLAR	37	W00-3701	SIDE COVER
9	W00-0901	DRAG WASHER SPRING	38	W00-3801	SIDE COVER SCREW
10	W00-1001	REAR COVER	39	W00-3901	HANDLE COLLAR
11	W00-1101	REAR COVER SCREW	40	W00-4001	HANDLE
12	W00-1201	DRAG KNOB	41	W00-4101	BAIL SPRING
13	W00-1301	DRAG KNOB SCREW	42	W00-4201	BAIL SPRING SHAFT
14	W00-1401	OSC GEAR	43	W00-4301	BAIL SPRING HOLDER
15	W00-1501	OSC SLIDER	44	W00-4401	BAIL TRIP LEVER
16	W00-1601	OSC SLIDER RET	45	W00-4501	BAIL SPRING COVER
17	W00-1701	OSC SLIDER SCREW	46	W00-4601	BAIL SPRING COVER SCREW
18	W01-5701	BALL BEARING A	47	W00-4701	ROTOR
19	W00-1901	DRIVE GEAR	48	W00-4801	ROTOR NUT
20	W00-2001	DRIVE GEAR WASHER	49	W00-4901	ROTOR NUT WASHER
21	W00-2101	A/R LEVER	50	W01-5901	SPOOL
22	W00-2201	A/R LEVER SCREW	51	W00-5003	SPOOL (EXTRA)
23	W00-2301	A/R CAM	52	W00-5101	MAIN SHAFT
24	W00-2401	A/R CAM SPRING	53	W00-5201	BAIL
25	W00-2501	A/R PAWL	54	W01-5801	LINE ROLLER
26	W00-2601	A/R PAWL SCREW	55	W00-5501	LINE ROLLER SCREW
27	W00-2701	A/R PAWL SPRING	56	W00-5601	BAIL ARM
28	W00-2801	BALL BEARING B		W00-5701	BAIL ARM SCREW
29	W00-2901	A/R RATCHET			