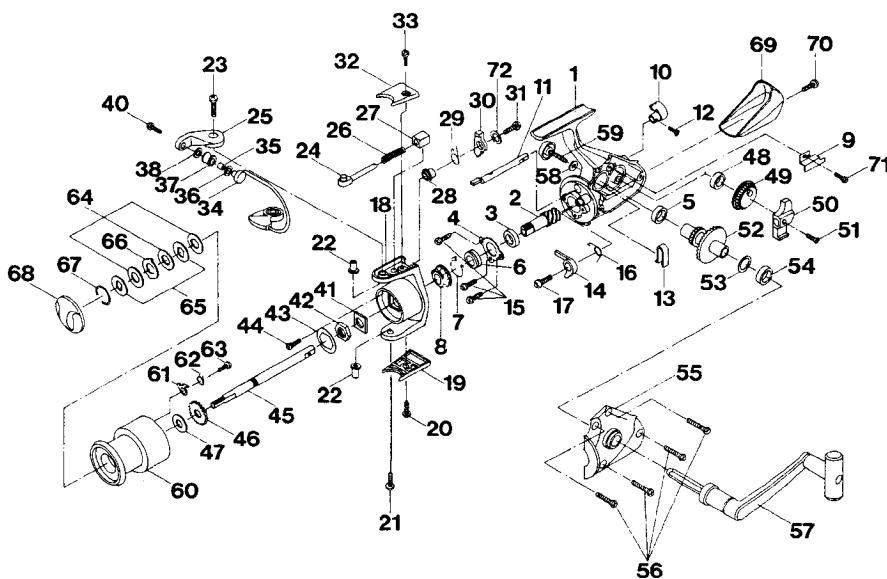


# JUPITER-Z4500 / 5000



| Key No. | Parts No. | Parts Name              |
|---------|-----------|-------------------------|
| 1       | W30-4601  | BODY                    |
| 2       | W30-8901  | PINION GEAR             |
| 3       | W30-1501  | BALL BEARING D          |
| 4       | W30-1601  | BEARING RET             |
| 5       | W30-3501  | BALL BEARING C          |
| 6       | W30-7801  | SPRING HOLDER           |
| 7       | W30-7701  | A/R PAWL SPRING B       |
| 8       | W30-7601  | A/R RATCHET             |
| 9       | W30-5001  | OSC SLIDER HOLDING PLT  |
| 10      | W30-7001  | A/R LEVER               |
| 11      | W30-8001  | A/R CAM                 |
| 12      | W30-8101  | A/R LEVER SCREW         |
| 13      | W30-7101  | A/R CAM SPRING          |
| 14      | W30-7301  | A/R PAWL                |
| 15      | W30-9501  | BEARING RET SCREW       |
| 16      | W30-7501  | A/R PAWL SPRING         |
| 17      | W30-7401  | A/R PAWL SCREW          |
| 18      | W30-8301  | ROTOR                   |
| 19      | W31-1101  | BAIL TRIP COVER         |
| 20      | W30-2701  | BAIL TRIP COVER SCREW   |
| 21      | W31-1001  | BAIL HOLDER SCREW       |
| 22      | W30-1801  | BAIL HOLDER COLLAR      |
| 23      | W30-1701  | BAIL ARM SCREW          |
| 24      | W31-2101  | BAIL SPRING SHAFT       |
| 25      | W30-0901  | BAIL ARM                |
| 26      | W30-9001  | BAIL SPRING             |
| 27      | W31-2301  | BAIL SPRING HOLDER      |
| 28      | W31-1901  | BAIL TRIP LEVER COLLAR  |
| 29      | W31-1701  | BAIL TRIP LEVER SPRING  |
| 30      | W31-1301  | BAIL TRIP LEVER         |
| 31      | W31-1501  | BAIL TRIP LEVER SCREW   |
| 32      | W30-1401  | BAIL SPRING COVER       |
| 33      | W30-2701  | BAIL SPRING COVER SCREW |
| 34      | W30-0101  | BAIL                    |
| 35      | W30-6001  | BALL BEARING B          |
| 36      | W30-6101  | LINE ROLLER WASHER A    |
| 37      | W30-6901  | LINE ROLLER             |
| 38      | W30-6201  | LINE ROLLER WASHER B    |
| 40      | W30-5701  | LINE ROLLER SCREW       |
| 41      | W30-8201  | ROTOR NUT HOLD PLT      |

| Key No. | Parts No. | Parts Name                |
|---------|-----------|---------------------------|
| 42      | W30-8701  | ROTOR NUT                 |
| 43      | W30-6501  | ROTOR NUT WASHER          |
| 44      | W30-6301  | ROTOR NUT LOCK SCREW      |
| 45      | W30-6701  | MAIN SHAFT                |
| 46      | W30-2001  | CLICK GEAR                |
| 47      | W30-6801  | SPOOL WASHER              |
| 48      | W30-5601  | OSC GEAR COLLAR           |
| 49      | W30-5401  | OSC GEAR                  |
| 50      | W30-5301  | OSC SLIDER                |
| 51      | W30-5101  | OSC SLIDER SCREW          |
| 52      | W30-3401  | DRIVE GEAR                |
| 53      | W30-4401  | DRIVE GEAR WASHER         |
| 54      | W30-3901  | BALL BEARING A            |
| 55      | W30-2501  | SIDE COVER                |
| 56      | W30-2601  | SIDE COVER SCREW          |
| 57      | W30-2801  | HANDLE                    |
| 58      | W30-6401  | HANDLE LOCK SCREW WASHER  |
| 59      | W30-3001  | HANDLE LOCK SCREW         |
| 60      | W30-9701  | SPOOL                     |
| 60      | W31-0601  | SPOOL (EXTRA)             |
| 61      | W30-1901  | CLICK PAWL                |
| 62      | W30-2101  | CLICK SPRING              |
| 63      | W30-2301  | CLICK PAWL SCREW          |
| 64      | W30-3201  | DRAG WASHER               |
| 65      | W30-4801  | KEY WASHER                |
| 66      | W30-4501  | EARED WASHER              |
| 67      | W30-9601  | DRAG WASHER RET           |
| 68      | W30-3101  | DRAG KNOB                 |
| 69      | W30-9201  | REAR COVER                |
| 70      | W30-9401  | REAR COVER SCREW          |
| 71      | W30-4901  | OSC SLIDER HOLD PLT SCREW |
| 72      | W31-1801  | BAIL TRIP LEVER WASHER    |

**J-25000 Special Parts**

| Key No. | Parts No. | Parts Name        |
|---------|-----------|-------------------|
| 18      | W30-8401  | ROTOR             |
| 32      | W30-1301  | BAIL SPRING COVER |
| 34      | W30-0301  | BAIL              |
| 60      | W30-9801  | SPOOL             |
| 60      | W31-0701  | SPOOL (EXTRA)     |