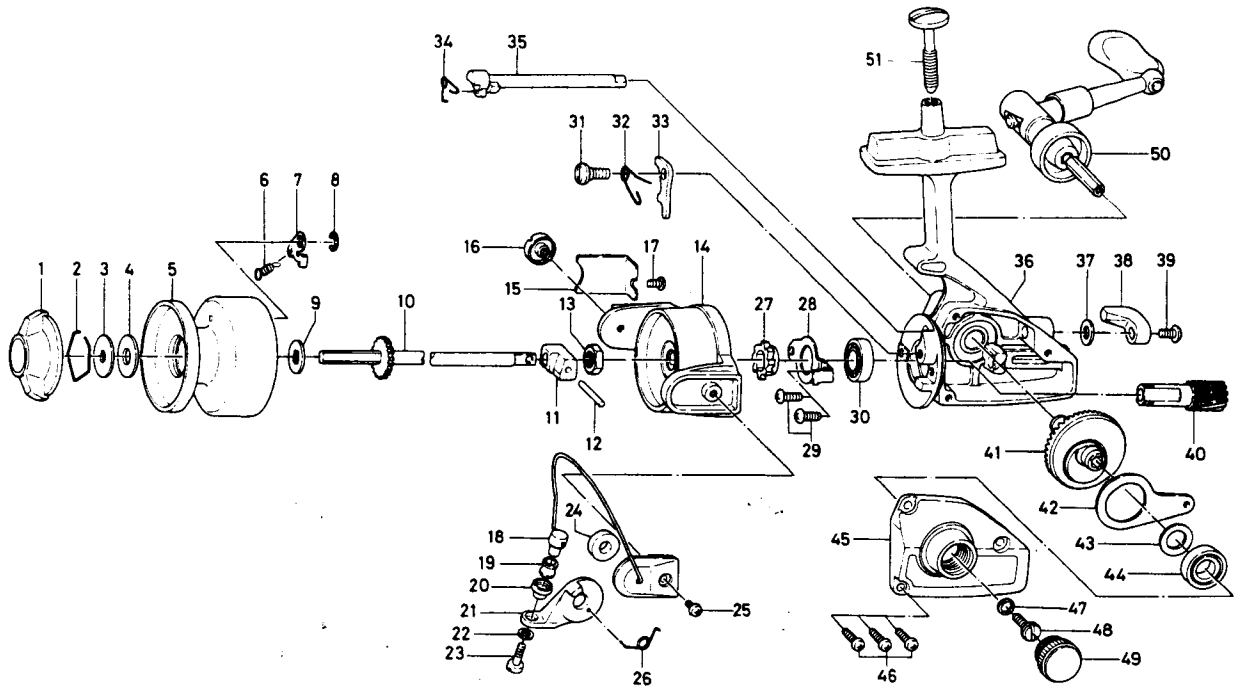


SPINNING REEL **Mini-Spin (MS-1)**



KEY NO. 2 ~ 8

6-732-2724

SPOOL ASSEMBLY

Key No.	Parts No.	Parts Name
1	6-740-2802	Drag knob
2	6-170-7701	Drag washer retainer
3	6-374-9801	Drag D washer
4	6-374-3602	Disc washer
5	6-733-1910	Spool
6	6-145-2101	Spool click claw spring
7	6-B07-5301	Spool click claw
8	6-320-5901	Spool click claw retainer
9	6-372-3501	Spool washer
10	6-711-0411	Main shaft
11	6-636-3611	Oscillating support
12	6-121-7901	Oscillating slider pin
13	6-341-9201	Rotor nut
14	6-201-8523	Rotor
15	6-040-7101	Bail spring cover
16	6-363-4301	Arm lever screw
17	6-351-0901	Bail spring cover screw
18	6-725-6521	Bail
19	6-250-1921	Line roller
20	6-501-4411	Roller collar
21	6-231-2501	Arm lever
22	6-375-4301	Bail washer
23	6-363-4411	Bail screw
24	6-210-6401	Balancer
25	6-352-0401	Bail holder screw
26	6-144-3821	Bail spring

Key No.	Parts No.	Parts Name
27	6-280-6211	Ratchet
28	6-320-8811	Ball bearing ret. washer
29	6-361-0901	Ball bearing ret. washer screw
30	6-637-5701	Ball bearing
31	6-363-4201	Anti-reverse claw screw
32	6-144-3711	Anti-reverse claw spring
33	6-111-4801	Anti-reverse claw
34	6-144-3611	Anti-reverse cam spring
35	6-461-3601	Anti-reverse cam
36	6-700-9901	Body
37	6-371-6903	Anti-reverse lever washer
38	6-541-3701	Anti-reverse lever
39	6-353-4401	Anti-reverse lever screw
40	6-402-2201	Pinion gear
41	6-413-4111	Drive gear
42	6-481-1331	Oscillating slider
43	6-375-8500	Drive gear washer
44	6-636-6611	Bearing metal
45	6-760-2106	Body cover
46	6-351-7801	Body cover screw
47	6-372-4601	Handle washer
48	6-362-1001	Handle screw
49	6-B03-4802	Handle screw cap
50	6-746-3314	Handle
51	6-363-6701	Reel retaining screw