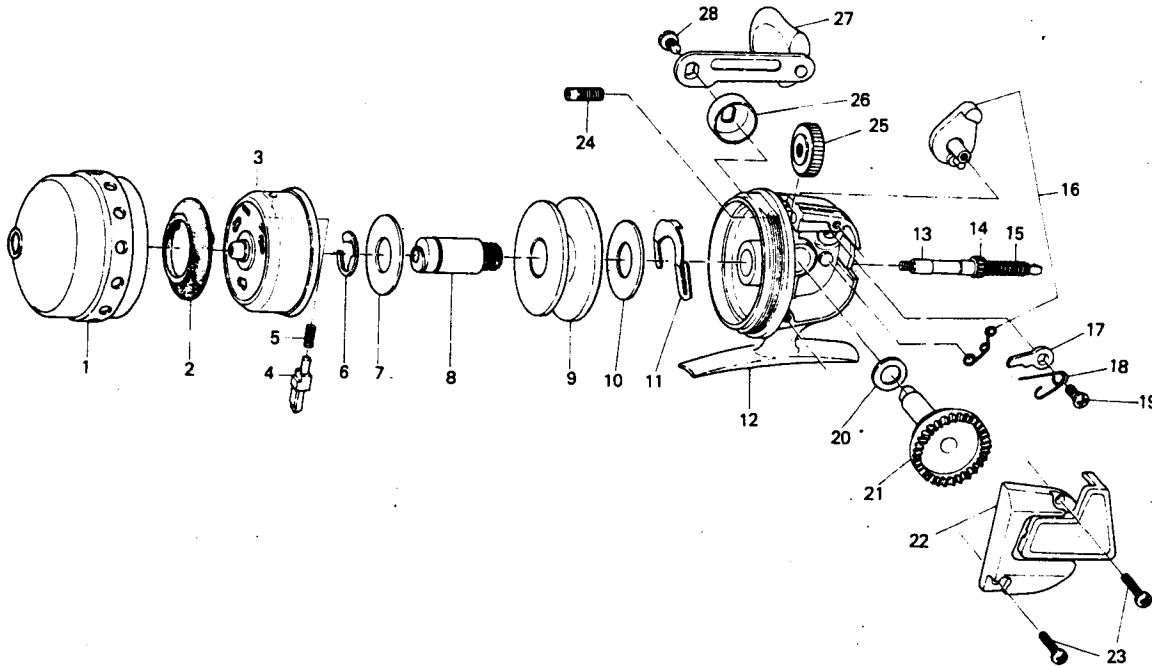


SPINCASTING REEL

Minicast-1 (MC-1)



KEY NO. 2 ~ 5
6-735-4711

ROTOR ASSEMBLY

KEY NO. 13 ~ 15
6-710-9201

MAIN SHAFT ASSEMBLY

Key No.	Parts No.	Parts Name
1	6-755-0706	Front cover
2	6-330-3901	Line stopper
3	6-735-4711	Rotor
4	6-180-3711	Pick up pin
5	6-151-4701	Pick up pin spring
6	6-320-3601	Spool retainer
7	6-373-4412	Spool washer
8	6-381-4711	Shaft metal
9	6-731-2601	Spool
10	6-373-4412	Spool washer
11	6-151-4821	Drag adjusting plate
12	6-700-6322	Body
13	6-393-0701	Main shaft
14	6-402-3301	Pinion gear

Key No.	Parts No.	Parts Name
15	6-144-0710	Main shaft spring
16	6-781-1721	Anti-reverse lever
17	6-111-3911	Anti-reverse claw
18	6-144-0511	Anti-reverse claw spring
19	6-351-1801	Anti-reverse claw screw
20	6-373-0100	Drive gear washer
21	6-413-1511	Drive gear
22	6-705-8907	Body cover
23	6-351-1101	Body cover screw
24	6-353-2521	Drag adjusting screw
25	6-342-2401	Drag adjusting dial
26	6-636-0401	Handle cap
27	6-746-0101	Handle
28	6-352-1102	Handle screw